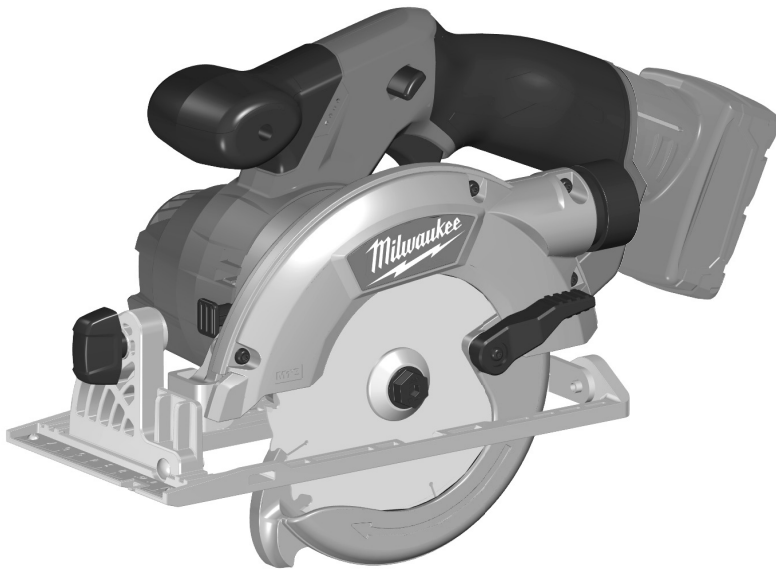




Nothing but **HEAVY DUTY.**[™]



M12 CCS44

User Manual

操作指南

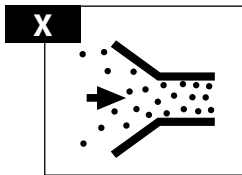
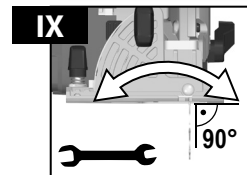
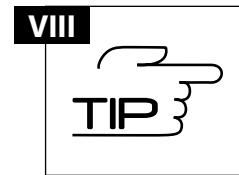
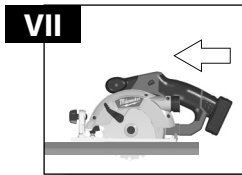
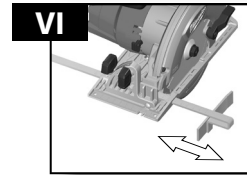
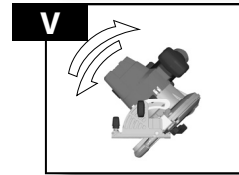
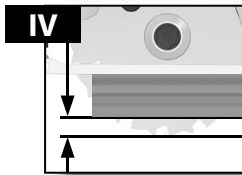
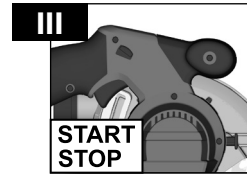
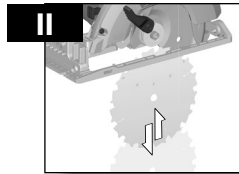
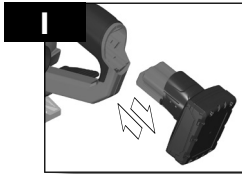
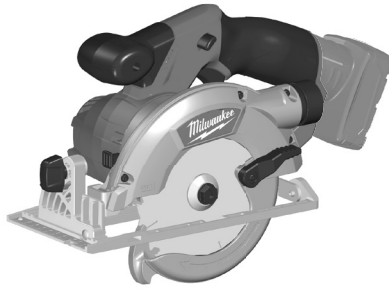
操作指南

사용시 주의사항

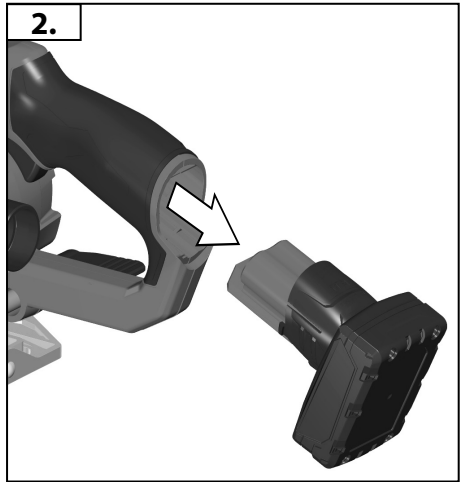
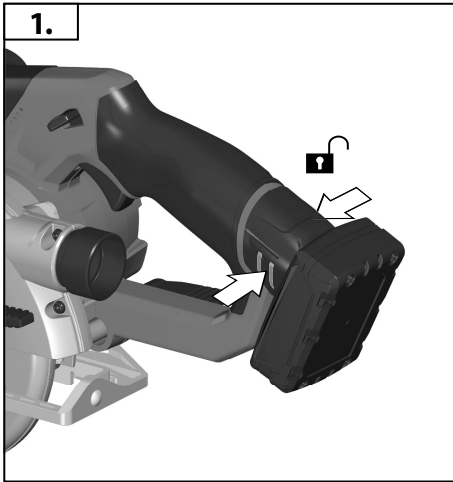
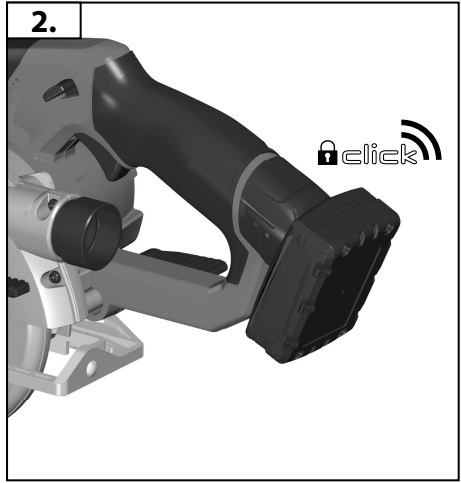
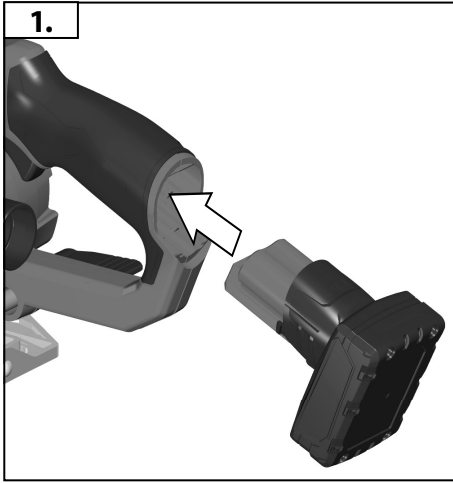
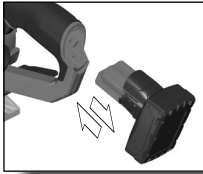
คำสั่งเดิม

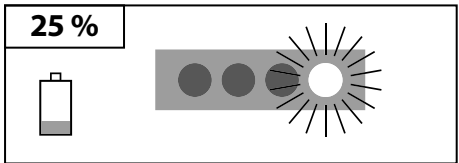
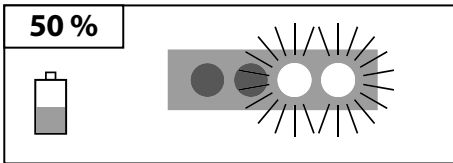
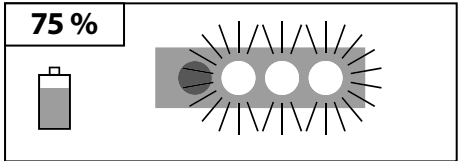
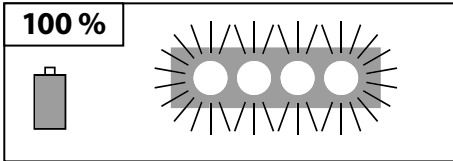
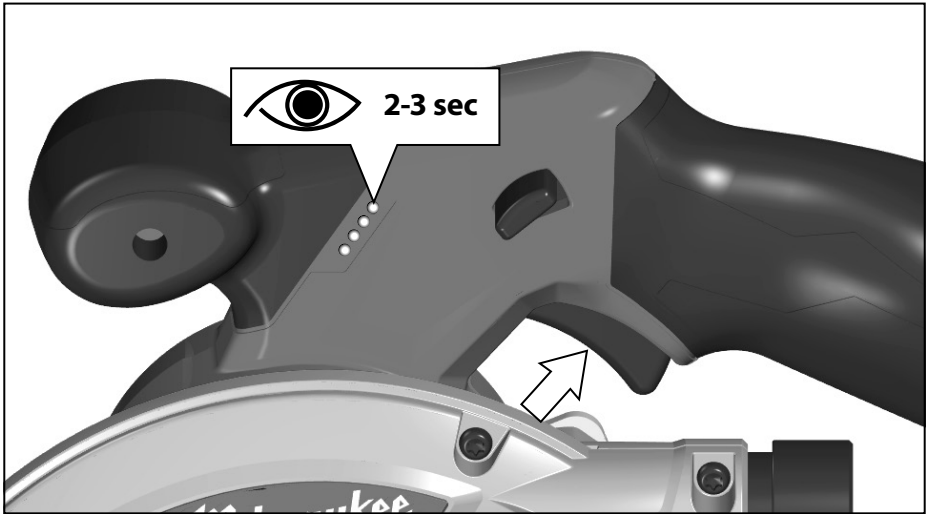
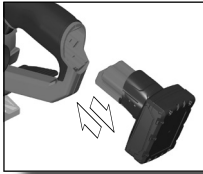
Buku Petunjuk Pengguna

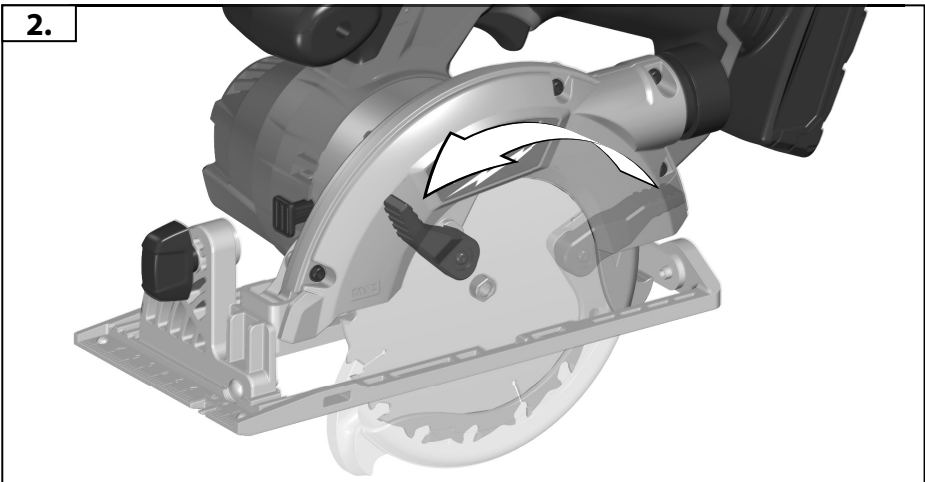
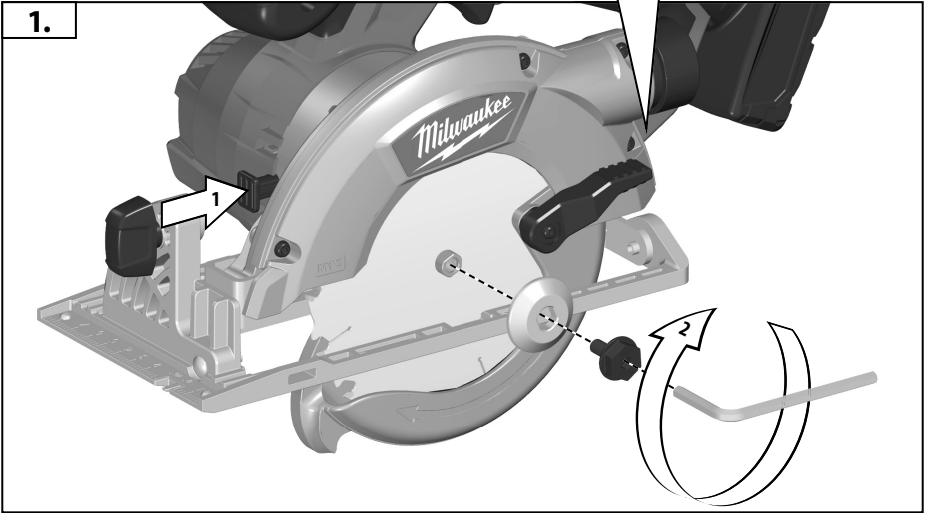
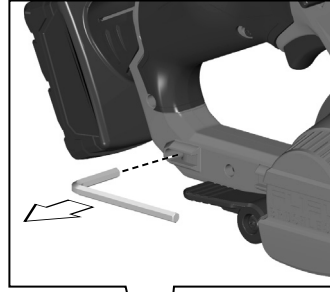
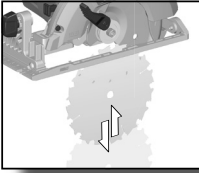


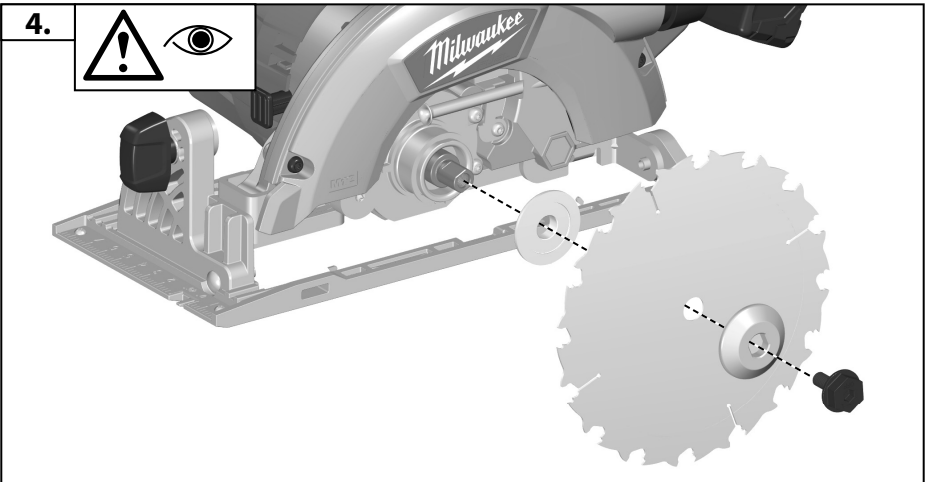
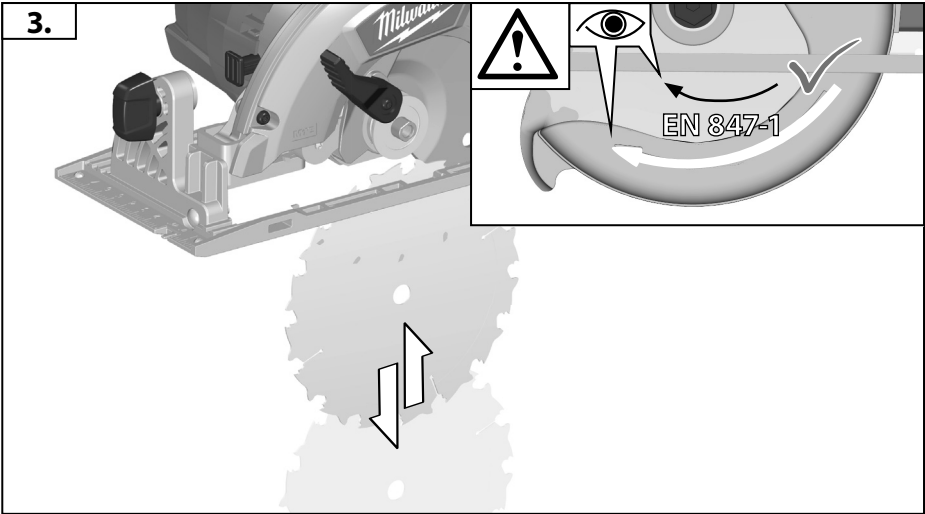
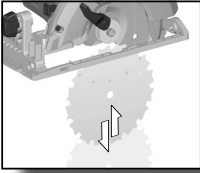


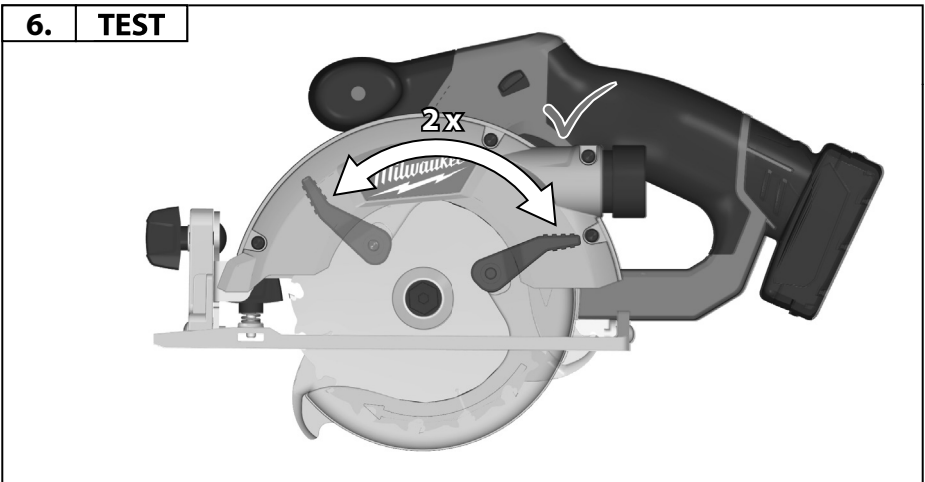
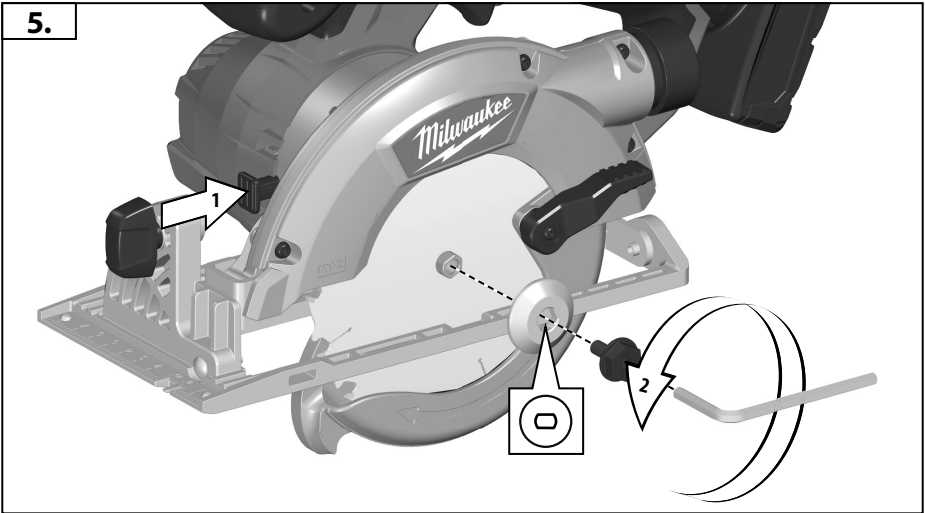
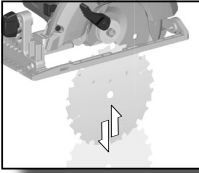

Accessory
 配件
 配件
 액세서리
 อุปกรณ์เสริม
 Aksesori

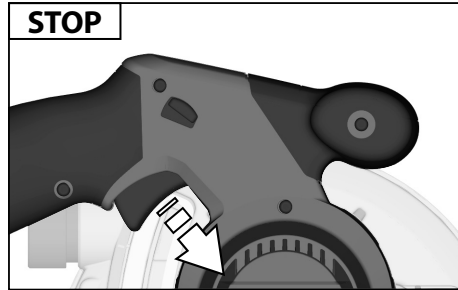
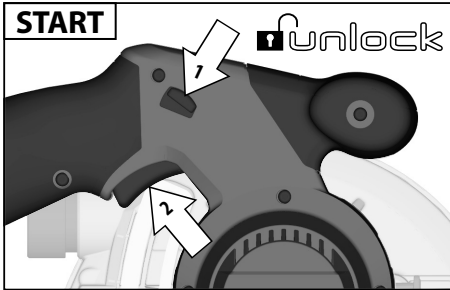
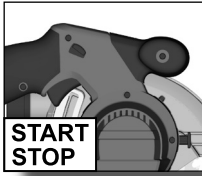












For safety reasons this power tool is fitted with a switch lock and the On-/Off switch cannot be locked in the "On" position

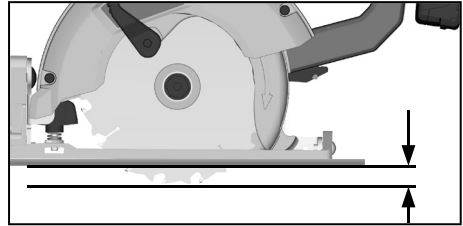
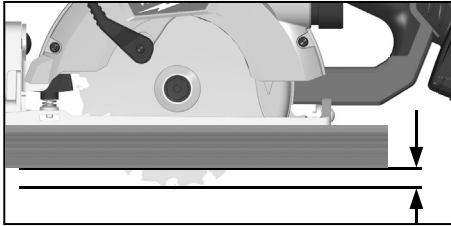
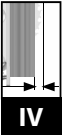
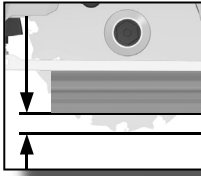
基於安全理由，該電動工具配備有開關鎖和開關鍵不能鎖於「開」的位置。

基于安全的理由本机器配备有开关锁·而且起停开关无法被锁定。

안전 이유로, 이 전동 공구에는 잠금 스위치가 장착되어 있는데, "켜짐" 위치에서는 On/Off 스위치가 잠겨지지 않습니다.

เพื่อเหตุผลด้านความปลอดภัยเครื่องมือไฟฟ้านี้ได้รับการติดตั้งสวิตช์ล็อกและสวิตช์เปิด / ปิดไม่สามารถล็อกในตำแหน่ง "เปิด"

Untuk alasan keamanan, perkakas listrik ini dilengkapi dengan kunci sakelar dan sakelar On-/Off tidak dapat dikunci pada posisi "On".



Adjust the cutting depth to the thickness of the workpiece. Less than a full tooth of the blade teeth should be visible below the workpiece.

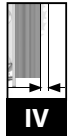
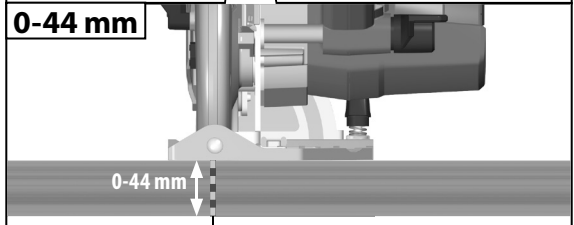
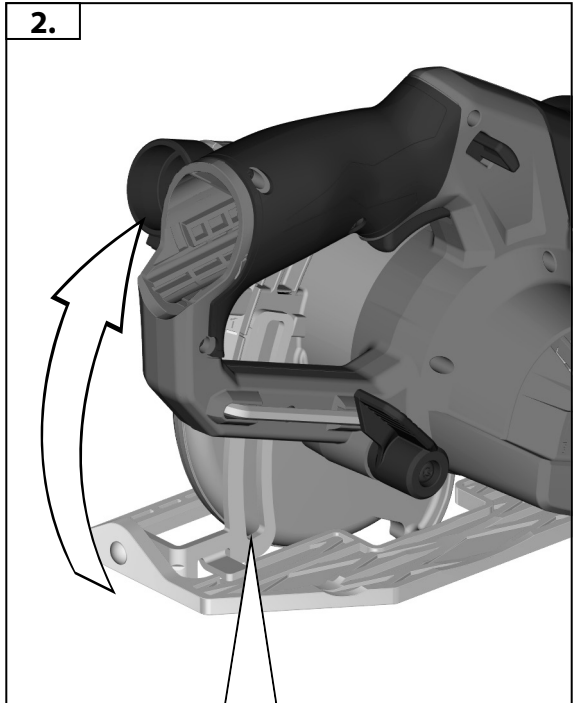
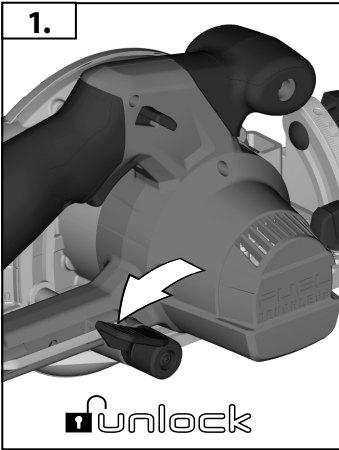
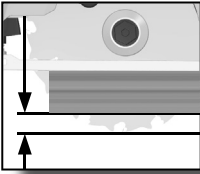
依工件厚度調整切割深度。鋸片在工件下方要露出近一齒的可見長度。

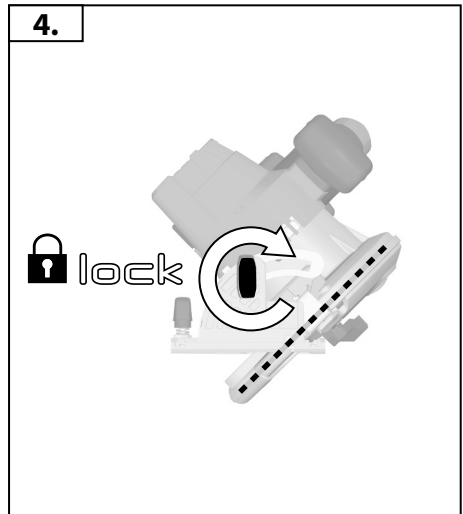
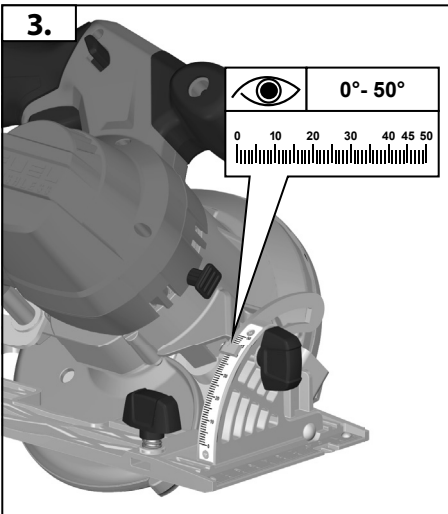
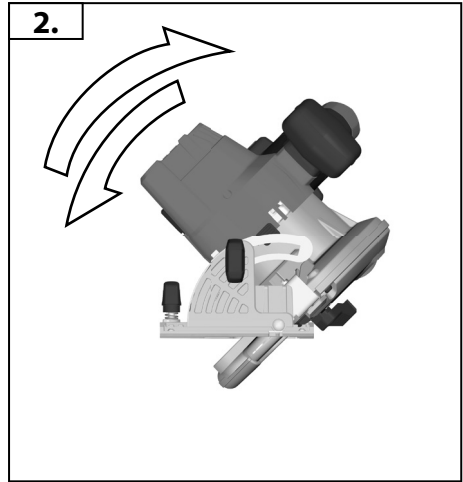
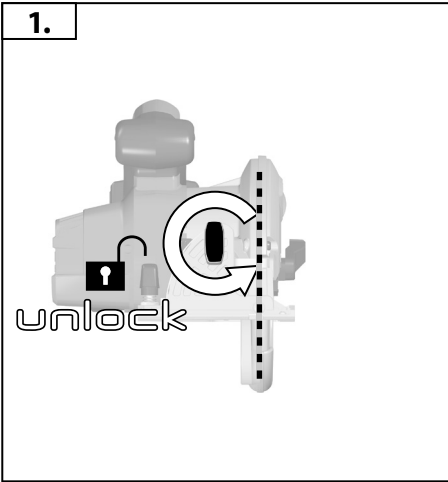
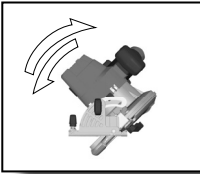
根据工件的厚度设定锯深。不可以让锯齿完全突出於工件之外。

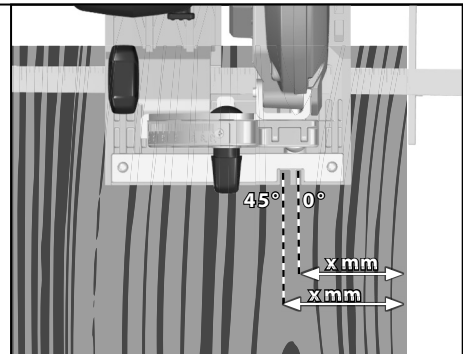
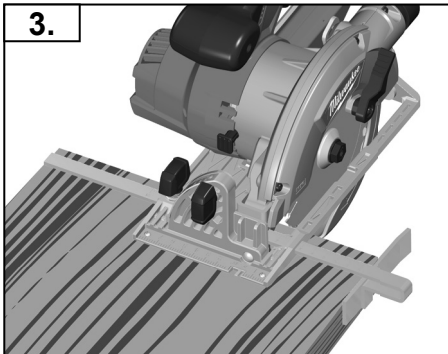
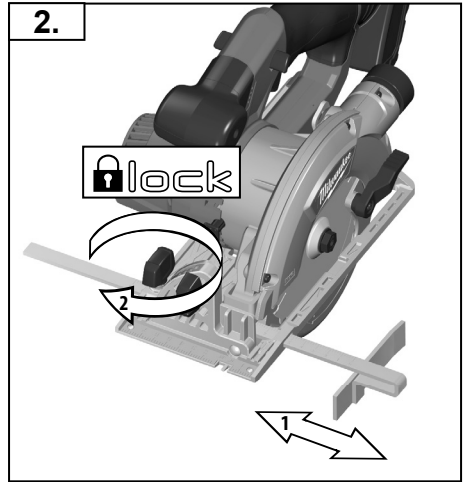
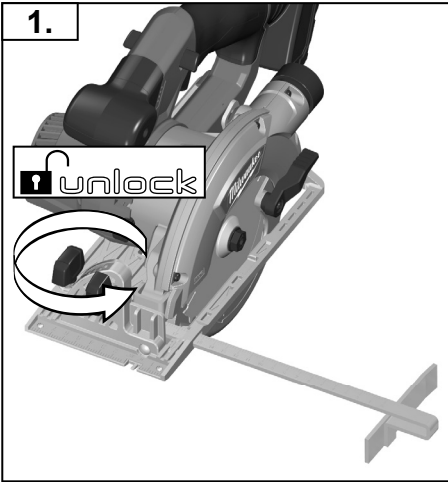
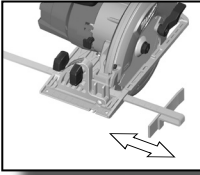
공작물의 두께에 맞게 절삭 깊이를 조정하십시오. 공작물 아래에 톱니의 전체 길이 미만의 부분이 보여야 합니다.

ปรับความลึกของการตัดให้เหมาะสมกับความหนาของชิ้นงาน
น้อยกว่าฟันเลื่อยเต็มใบควรจะมีเห็นด้านล่างชิ้นงาน

Sesuaikan kedalaman pemotongan dengan ketebalan benda kerja. Kurang dari satu gigi penuh harus kelihatan di bawah benda kerja.







Carry out a test cut.

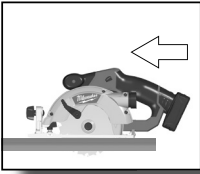
進行試切。

执行测试裁减。

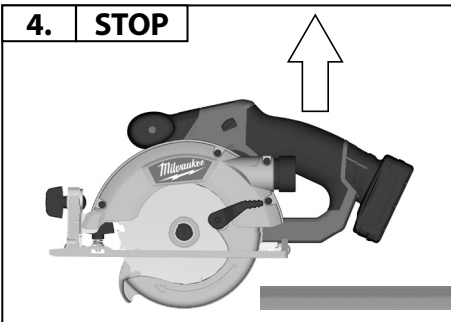
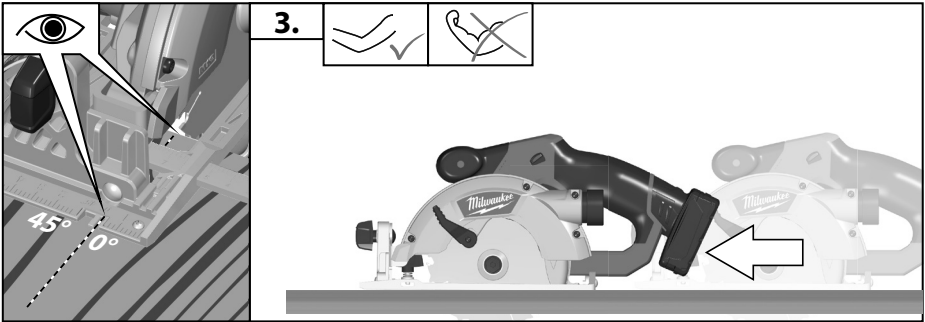
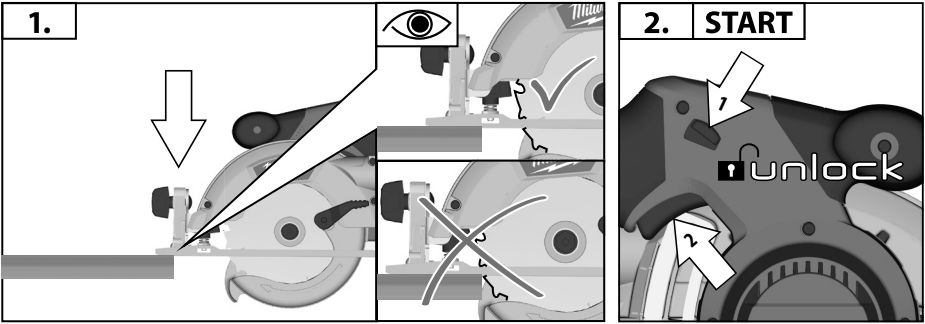
시험 절단을 수행하십시오.

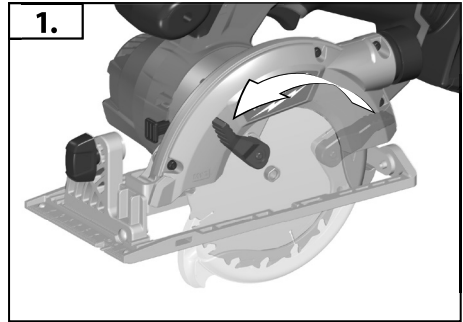
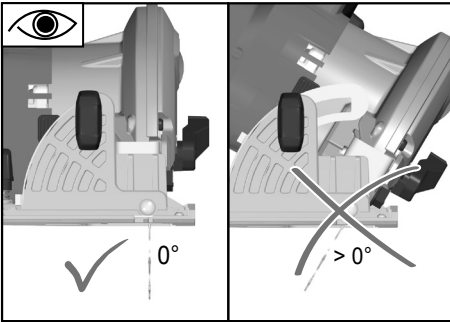
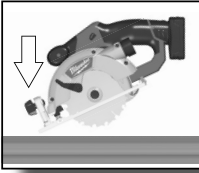
ดำเนินการทดสอบการตัด

Lakukan tes pemotongan.

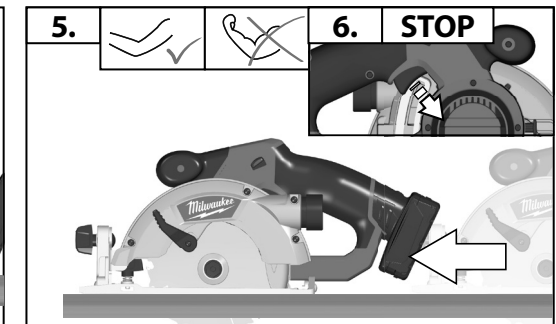
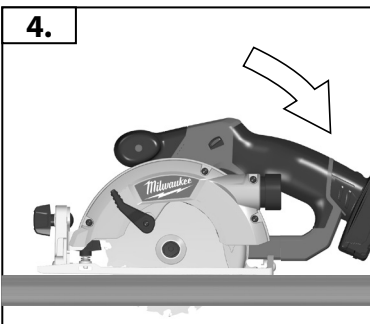
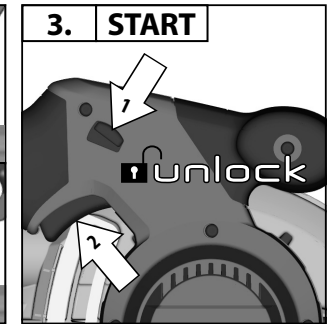
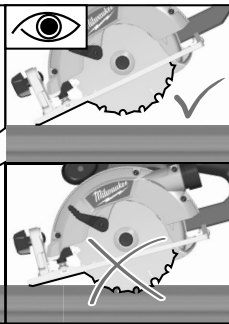
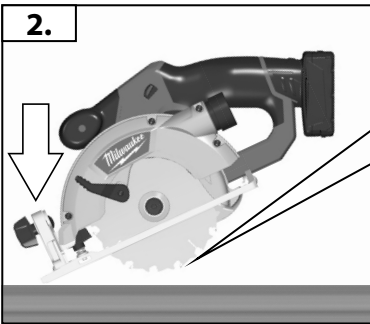


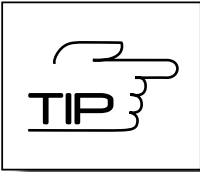
VII



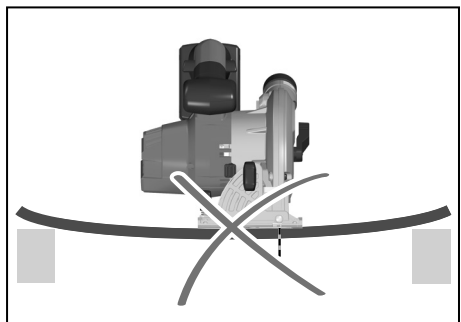
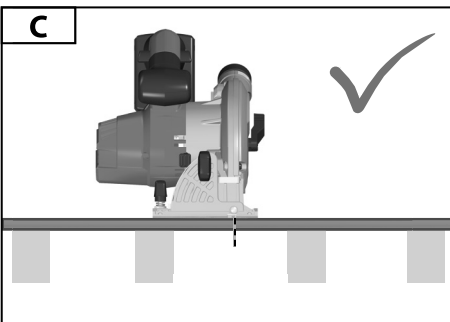
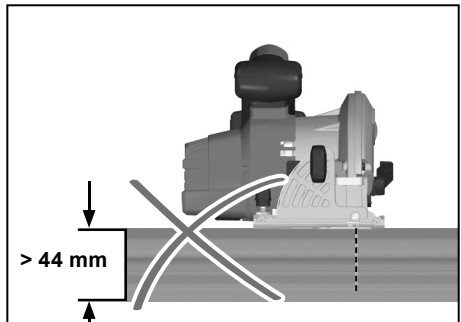
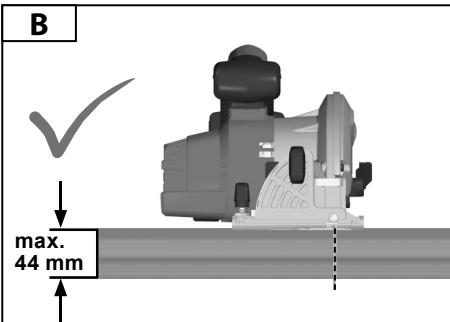
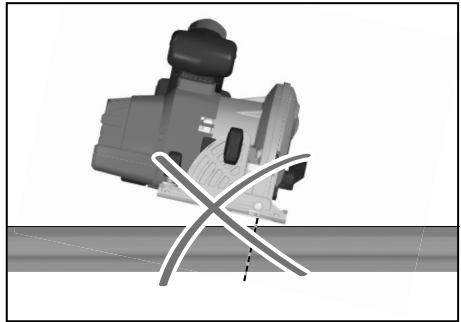
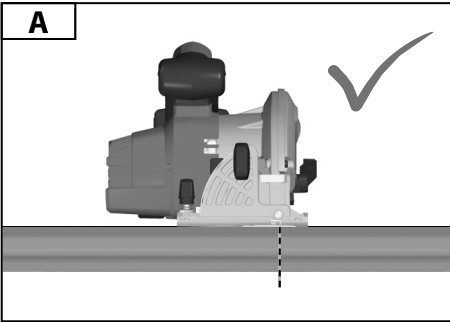


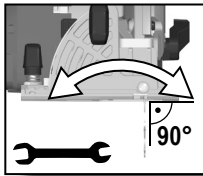
TIP
VIII





TIP
VIII





If a correction of the 90° angle of the guide-plate to the saw blade is necessary, use the correction screw.

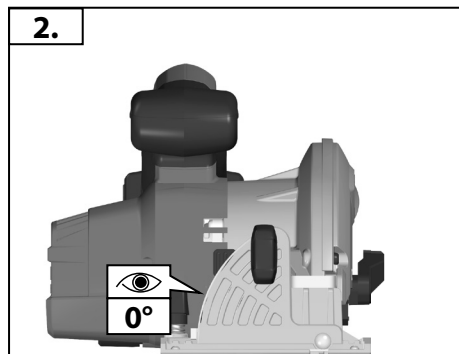
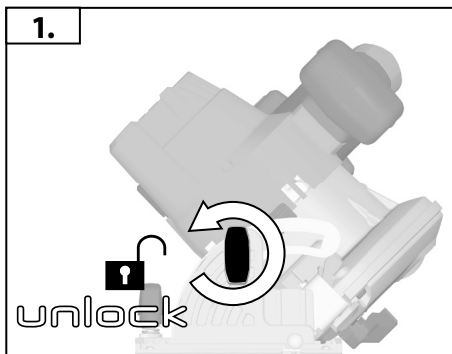
如果必須更改導引板和鋸刀片之間的角度（90度），則要調整校正螺絲。

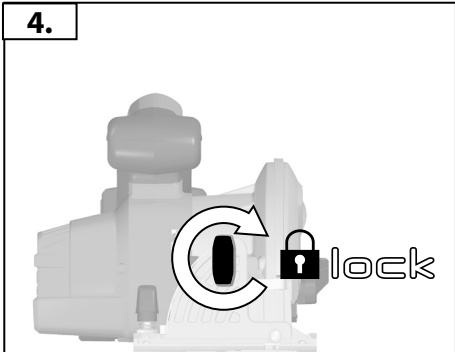
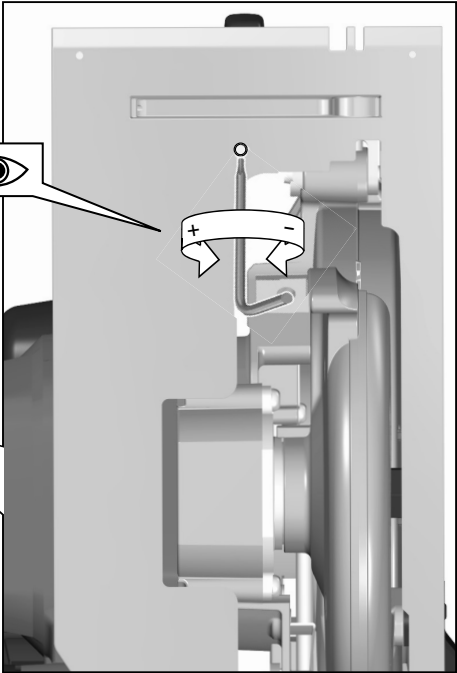
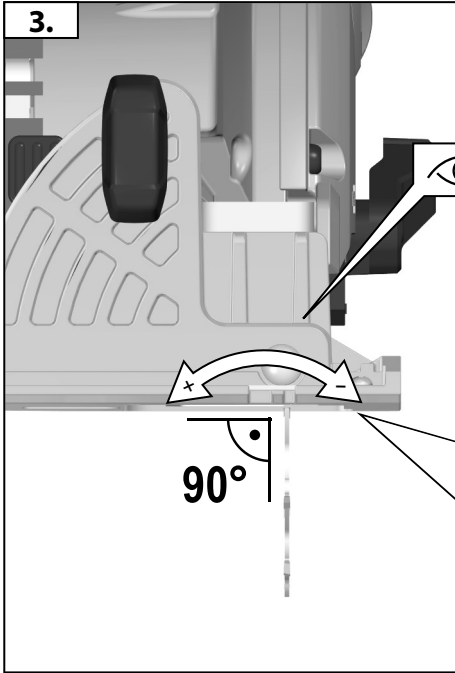
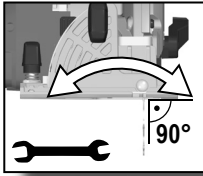
如果必須更改導引板和鋸刀片之間的角度（90度），則要調整校正螺絲。

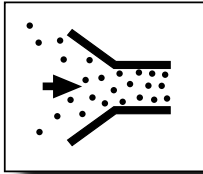
톱날에 대해 90°로 되어 있는 가이드 판의 각도를 조절하려면, 조절 나사를 사용하십시오.

หากความถูกต้องของมุมจําแนก 90 ° ต่อใบเลื่อยมีความสําคัญ ให้ใช้สกรูที่ถูกต้อง

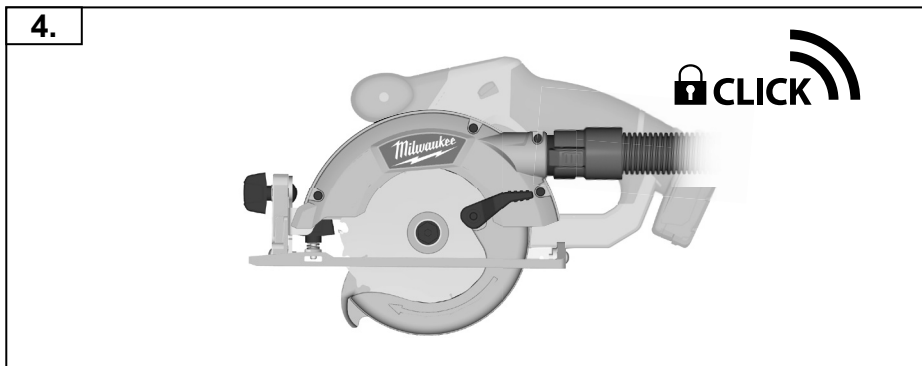
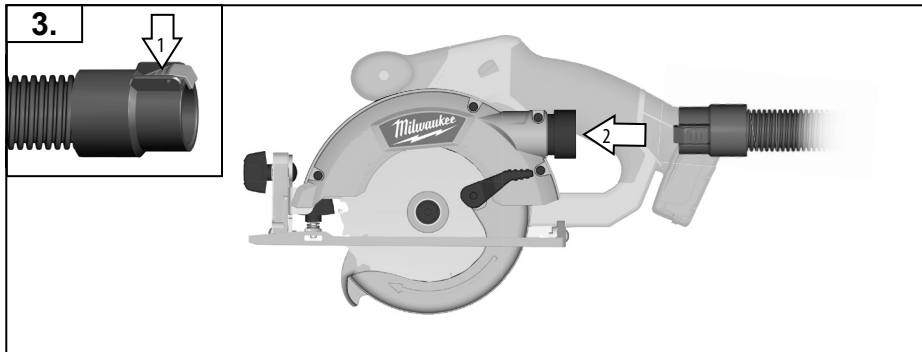
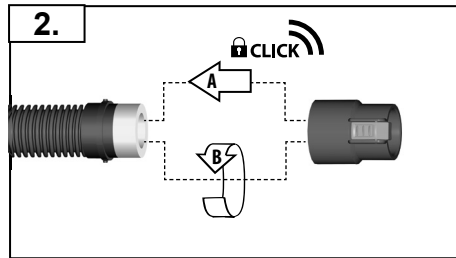
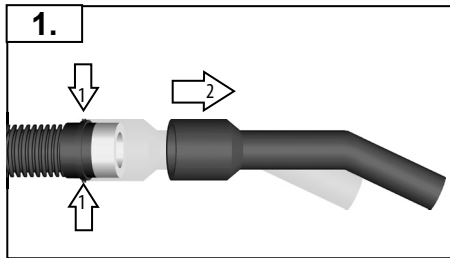
Jika diperlukan koreksi sudut 90° pelat pengarah pada gergaji, gunakan sekrup koreksi.







A	AS 2-250	4931 4472 95
B	AS 300 / 500	4931 4472 94





TECHNICAL DATA	M12 CCS44
Circular saw	
No-load speed	3600 min ⁻¹
Saw blade diameter x hole diameter	140 x 20 mm
Saw blade thickness	1,00 mm
Max. cutting depth at 0°/45°/50°	44 / 33 / 27 mm
Battery voltage	12 V
Weight according EPTA-Procedure 01/2003 (2,0 Ah)	2,7 kg
Noise information Measured values determined according to EN 60745. Typically, the A-weighted noise levels of the tool are: Sound pressure level (Uncertainty K=3dB(A)) Sound power level (Uncertainty K=3dB(A))	82,0 dB (A) 93,0 dB (A)
Wear ear protectors!	
Vibration information Vibration total values (triaxial vector sum) determined according to EN 60745	
Sawing of wood: Vibration emission value $a_{h,w}$	1,46 m/s ²
Uncertainty K=	1,5 m/s ²

WARNING!

The vibration emission level given in this information sheet has been measured in accordance with a standardised test given in EN 60745 and may be used to compare one tool with another. It may be used for a preliminary assessment of exposure. The declared vibration emission level represents the main applications of the product. However if the product is used for different applications, with different accessories or poorly maintained, the vibration emission may differ. This may significantly increase the exposure level over the total working period.

An estimation of the level of exposure to vibration should also take into account the times when the product is switched off or when it is running but not actually doing the job. This may significantly reduce the exposure level over the total working period.

Identify additional safety measures, such as maintaining the product and the accessories, keeping the hands warm, and organising work patterns, to protect the operator from the effects of vibration.

WARNING!

Read all safety warnings and all instructions. Failure to follow the warnings and instructions may result in electric shock, fire and/or serious injury.

Save all warnings and instructions for future reference.

SAFETY INSTRUCTIONS FOR MANUAL CIRCULAR SAWS

Cutting procedures

- DANGER: Keep hands away from cutting area and the blade. Keep your second hand on auxiliary handle, or motor housing.** If both hands are holding the saw, they cannot be cut by the blade.
- Do not reach underneath the workpiece.** The guard cannot protect you from the blade below the workpiece.
- Adjust the cutting depth to the thickness of the workpiece.** Less than a full tooth of the blade teeth should be visible below the workpiece.
- Never hold piece being cut in your hands or across your leg. Secure the workpiece to a stable platform.** It is important to support the work properly to minimize body exposure, blade binding, or loss of control.
- Hold the power tool by insulated gripping surfaces only, when performing an operation where the cutting tool may contact hidden wiring.** Contact with a "live" wire will also make exposed metal parts of the power tool "live" and could give the operator an electric shock.

f) **When ripping, always use a rip fence or straight edge guide.** This improves the accuracy of cut and reduces the chance of blade binding.

g) **Always use blades with correct size and shape (diamond versus round) of arbour holes.** Blades that do not match the mounting hardware of the saw will run eccentrically, causing loss of control.

h) **Never use damaged or incorrect blade washers or bolt.** The blade washers and bolt were specially designed for your saw, for optimum performance and safety of operation.

Kickback causes and related warnings:

– kickback is a sudden reaction to a pinched, bound or misaligned saw blade, causing an uncontrolled saw to lift up and out of the workpiece toward the operator;

– when the blade is pinched or bound tightly by the kerf closing down, the blade stalls and the motor reaction drives the unit rapidly back toward the operator;

– if the blade becomes twisted or misaligned in the cut, the teeth at the back edge of the blade can dig into the top surface of the wood causing the blade to climb out of the kerf and jump back toward the operator.

Kickback is the result of saw misuse and/or incorrect operating procedures or conditions and can be avoided by taking proper precautions as given below.

a) **Maintain a firm grip with both hands on the saw and position your arms to resist kickback forces. Position your body to either side of the blade, but not in line with the blade.** Kickback could cause the saw to jump backwards, but kickback forces can be controlled by the operator, if proper precautions are taken.

b) **When blade is binding, or when interrupting a cut for any reason, release the**





trigger and hold the saw motionless in the material until the blade comes to a complete stop. Never attempt to remove the saw from the work or pull the saw backward while the blade is in motion or kickback may occur. Investigate and take corrective actions to eliminate the cause of blade binding.

c) **When restarting a saw in the workpiece, centre the saw blade in the kerf and check that saw teeth are not engaged into the material.** If saw blade is binding, it may walk up or kickback from the workpiece as the saw is restarted.

d) **Support large panels to minimise the risk of blade pinching and kickback. Large panels tend to sag under their own weight.** Supports must be placed under the panel on both sides, near the line of cut and near the edge of the panel.

e) **Do not use dull or damaged blades.** Unsharpened or improperly set blades produce narrow kerf causing excessive friction, blade binding and kickback.

f) **Blade depth and bevel adjusting locking levers must be tight and secure before making cut.** If blade adjustment shifts while cutting, it may cause binding and kickback.

g) **Use extra caution when sawing into existing walls or other blind areas.** The protruding blade may cut objects that can cause kickback.

Lower guard function

a) **Check lower guard for proper closing before each use. Do not operate the saw if lower guard does not move freely and close instantly. Never clamp or tie the lower guard into the open position.** If saw is accidentally dropped, lower guard may be bent. Raise the lower guard with the retracting handle and make sure it moves freely and does not touch the blade or any other part, in all angles and depths of cut.

b) **Check the operation of the lower guard spring. If the guard and the spring are not operating properly, they must be serviced before use.** Lower guard may operate sluggishly due to damaged parts, gummy deposits, or a build-up of debris.

c) **Lower guard may be retracted manually only for special cuts such as "plunge cuts" and "compound cuts". Raise lower guard by retracting handle and as soon as blade enters the material, the lower guard must be released.** For all other sawing, the lower guard should operate automatically.

d) **Always observe that the lower guard is covering the blade before placing saw down on bench or floor.** An unprotected, coasting blade will cause the saw to walk backwards, cutting whatever is in its path. Be aware of the time it takes for the blade to stop after switch is released.

Additional Safety and Working Instructions:

Wear ear protectors. Exposure to noise can cause hearing loss.

Use protective equipment. Always wear safety glasses when working with the machine. The use of protective clothing is recommended, such as dust mask, protective gloves, sturdy non-slip footwear, helmet and ear defenders.

The dust produced when using this tool may be harmful to health. Do not inhale the dust. Use a dust absorption system and wear a suitable dust protection mask. Remove deposited dust thoroughly, e.g. with a vacuum cleaner.

Do not use saw blades not corresponding to the key data given in these instructions for use.

Do not fix the on/off switch in the „on“ position when using the saw hand-held.

Please do not use abrasion disks in this machine! Adapt the feed speed to avoid overheating the blade tips and to avoid melting plastic materials during cutting.

Remove the battery pack before starting any work on the product.

SPECIFIED CONDITIONS OF USE

This electronic circular saw can cut lengthways and mitre accurately in wood.

Do not use this product in any way other than those stated in the intended use.

ELECTRIC BRAKE

The electric brake engages when the trigger is released, causing the blade to stop and allowing you to proceed with your work. Generally, the saw blade stops within two seconds. However, there may be a delay between the time you release the trigger and when the brake engages.

Occasionally the brake may miss completely. If the brake misses frequently, the saw needs servicing by an authorized Milwaukee service facility. You must always wait for the blade to stop completely before removing the saw from the workpiece.

BATTERIES

Battery packs which have not been used for some time should be recharged before use.

Temperatures in excess of 50°C (122°F) reduce the performance of the battery pack. Avoid extended exposure to heat or sunshine (risk of overheating).

The contacts of chargers and battery packs must be kept clean.

For an optimum life-time, the battery packs have to be fully charged, after use.

To obtain the longest possible battery life remove the battery pack from the charger once it is fully charged.

For battery pack storage longer than 30 days:

Store the battery pack where the temperature is below 27°C and away from moisture.

Store the battery packs in a 30% - 50% charged condition.

Every six months of storage, charge the pack as normal.

Do not dispose of used battery packs in the household refuse or by burning them. Milwaukee Distributors offer to retrieve old batteries to protect our environment.

Do not store the battery pack together with metal objects (short circuit risk).

Use only System C12 chargers for charging System C12 battery packs. Do not use battery packs from other systems.

Never break open battery packs and chargers and store only in dry rooms. Keep dry at all times.

Battery acid may leak from damaged batteries under extreme load or extreme temperatures. In case of contact with battery acid wash it off immediately with soap and water. In case of eye contact rinse thoroughly for at least 10 minutes and immediately seek medical attention.

No metal parts must be allowed to enter the battery section of the charger (short circuit risk).

BATTERY PACK PROTECTION

In extremely high torque, binding, stalling and short circuit situations that cause high current draw, the tool will stop for about 2 seconds and then the tool will turn OFF. To reset, release the trigger. Under extreme circumstances, the internal temperature of the battery could become too high. If this happens, the battery will shut down. Place the battery on the charger to charge and reset it.

MAINTENANCE

Be sure to disconnect the tool from the power supply before attaching or removing the saw blade.

Clean tool and guarding system with dry cloth. Certain cleaning agents and solvents are harmful to plastics and other insulated parts.

Keep the apparatus handle clean, dry and free of spilt oil or grease.

Check the function of guards.

Regular maintenance and cleaning provide for a long service life and safe handling.

The ventilation slots of the machine must be kept clear at all times.

Use only Milwaukee accessories and Milwaukee spare parts. Should components need to be replaced which have not been described, please contact one of our Milwaukee service agents machine type printed as well as the six-digit No. on the label and order the drawing at your local service agents.



SYMBOLS



CAUTION! WARNING! DANGER!



Please read the instructions carefully before starting the machine.



Always wear goggles when using the machine.



Remove the battery pack before starting any work on the machine.



Accessory - Not included in standard equipment, available as an accessory.



Do not dispose of electric tools together with household waste material. Electric tools and electronic equipment that have reached the end of their life must be collected separately and returned to an environmentally compatible recycling facility. Check with your local authority or retailer for recycling advice and collection point.



技術資料	M12 CCS44
圓鋸	
空載轉速	3600 min ⁻¹
鋸片直徑x軸孔直徑	140 x 20 mm
鋸片厚度	1,00 mm
在溫度 0° / 45° / 50° 的切割深度	44 / 33 / 27 mm
電池電壓	12 V
根據EPTA-Procedure 01/2003 (2,0 Ah) 的重量	2,7 kg
噪音資訊 依 EN 60745 所測的測量值一般來說，本工具的A加權噪音標準為： 聲壓量測 (K=3dB(A)) 聲壓率級 (K=3dB(A)) 穿戴護耳裝置!	82,0 dB (A) 93,0 dB (A)
震動資訊 依EN 60745所測的振動總值（三軸向量總和）	
木材切割: 震動釋放值 a _{h,w}	1,46 m/s ²
不確定性 K 值	1,5 m/s ²

⚠ 警告!

本說明書所提供的震動等級是依EN 60745 規定的標準化測試所測得，且可能用於與另一個工具進行比較。該等級可用來初步評估風險。宣告的震動釋放等級代表的是本工具的主要應用。然而，如果用於不同的應用、使用不同的配件或保養不當，震動釋放也可能不同。這可能會在總工作時間上顯著增加風險等級。評估震動暴露的等級還應考慮本工具關機時的時間，或當工具運轉但卻未實際使用的時間。這可能會明顯降低總工作期間的風險等級。請確認額外的安全措施，以保護操作員不受震動的影響，例如：保養本工具與配件、保持手部溫暖和井然有序的工作方式。

⚠ 警告!

請詳閱所有安全警告及說明，包括隨附於手冊內的安全警告及說明。若未能遵守警告與指示，可能會導致觸電、火災和/或嚴重受傷。請將所有警告與指示存檔以供未來參考。

⚠ 安全說明

切割流程

- 危險：雙手遠離切割區域和鋸片，用第二隻手握住附加把手或引擎機身。雙手都握著機器可避免被鋸片切到。
- 不得碰觸工件下方。保護罩無法防護工件下方的鋸片傷害。
- 依工件厚度調整切割深度。鋸片在工件下方要露出近一齒的可見長度。
- 嚴禁用手拿著或用腳夾住欲切割的物品。將工件固定在穩定的平台上。妥善支撐工件能將意外傷害、鋸片卡住或失控的風險最小化。
- 進行作業時，若配件有接觸到隱藏線路或自身電線的可能，確定握住電動工具的絕緣表面。切割配件接觸到「通電中」的電線可能造成電動工具的金屬部分「通電」，引發操作人觸電的可能。
- 縱割時，一定要使用縱解規或直邊導向規。這能夠提高鋸割準確性，並且降低卡鋸的機率。
- 確保使用的鋸片具有正確尺寸和形狀的軸心孔，安裝與不適用硬體的鋸片會離心運行，導致失控。

- 嚴禁使用損壞的或不正確的鋸片墊片或螺栓。鋸片墊和螺栓是為您的電鋸專門設計，用以達到最佳性能與安全運作。

反衝原因與相關警示：

- 反衝是鋸片被夾住、卡住或未對準時的突然反應，可導致失控的工具突然彈起，離開工件，衝向操作人員。
- 當鋸片被封閉的鋸縫夾緊或卡住時，鋸片停止轉動。馬達的反作用力驅使工具迅速後撤，衝向操作人員。
- 鋸片若產生扭曲或偏斜在切線外，後方的鋸齒可能卡入木頭表面，將刀鋒自鋸口提起，往操作者方彈回。

反衝是由於使用不當和/或不正確的操作程式或條件造成的。適當採取下列預防措施，可避免反衝現象。

- 雙手緊握工具並調整好身體和手臂的位置以確保您能夠承受反衝力。保持身體在鋸片的一側，而非成一直線。反衝能引起鋸片後彈，但是只要採取適當的預防措施，操作人員可以控制住反衝力。
- 如果鋸片卡住，或由於任何原因受阻於鋸縫中，鬆開扳手開關，保持電鋸不動，直至鋸片在材料中完全停止。鋸片仍在運轉時，切勿嘗試從加工件中取下工具或向後拔出工具，否則有可能出現反衝現象。仔細觀察卡鋸原因並採取合適的解決方法。
- 若需在加工件中重新啟動工具繼續切割，請將鋸片對準鋸縫中心，檢查並確保鋸齒沒有卡在材料內。如果鋸片被卡住，重新啟動工具時會導致鋸片上跳或反衝。





- d) 妥善支撐大型板材，將卡鋸和反衝的風險最小化。大型板材經常因自身重量而有下陷傾向，因此必須在 板材下面靠近切割線的兩側以及靠近板材邊緣的兩側放置支撐物。
- e) 請勿使用鈍的或損壞的鋸片。不鋒利或未適當調整的鋸片會產生狹窄鋸縫，引起過度摩擦、卡鋸及反衝。
- f) 鋸切進行前，鋸片深度調節與角度調節器必須牢固上緊。切割過程中鋸片調節器如果移動會造成卡鋸及反衝。
- g) “插切”已有的牆體或是其他死角時，要特別小心注意，鋸片可能會鋸到能夠引起反衝的物體。

下護罩功能

- a) 每次使用前，檢查下護罩是否能夠正確閉合。下護罩若無法自由移動並即時關閉，切勿使用電鋸。禁止將下護罩夾住或綁到打開位置。不小心跌落電鋸，可能造成下護罩彎曲。用收縮杆升起下護罩，確保在 鋸割的任何角度、深度，下護罩都能夠自由移動，並且碰不到鋸片或任何其他部件。
- b) 檢查下護罩彈簧的狀況。如果護罩和彈簧的運行情況不良，必須在使用前進行維修。部件損壞、樹脂堆積或鋸屑堵塞都會造成下護罩反應遲鈍。
- c) 只有在特殊鋸割如「插切」或「複合切割」時，才允許手工收起下護罩。用收縮杆升起下護罩，鋸片一進入材料即放開下護罩。所有其他鋸割情況下，下護罩均應自動運行。
- d) 把電鋸放到工作臺或地板上，切記觀察下護罩是否蓋住鋸片。未保護的慣性運動鋸會導致電鋸後退，切割所有觸及之物。了解開關鬆開後鋸片停止所需要的時間。

其它安全和工作指示

- 請戴上耳罩。所發生的噪聲會導致听力損失。
- 穿戴個人護具。依作業內容，使用面罩、安全護鏡或安全玻璃罩。若適用，穿戴防塵口罩、防護耳罩、手套與可隔離研磨碎屑或工件碎片的工作圍裙。
- 切割作業產生的粉塵可能有害健康。避免吸入。佩戴合適的防塵口罩。
- 徹底清除堆積的粉塵，像是利用真空吸塵器。
- 切勿使用不符合本使用說明指定規格的鋸片。
- 以手拿進行鋸刀操作時，不得將開/關切換固定在「開」。
- 切勿在本機器上使用研磨輪！A調整操作速度以避免鋸片鋸齒過熱，導致切割中的塑膠融化。
- 在機器上做任何調整前，請先取出電池組。

指定的使用條件

這個電子圓型鋸刀能在木材上進行精準的橫面切割與斜切割。請勿以非正常使用的任何其他方式使用本產品。

電動制動器

電動煞車會在卡鎖鬆開後啟動，暫停鋸刀運轉，讓您可以繼續作業。一般來說，鋸刀會在兩秒內停止，但是，卡鎖鬆開和煞車啟動間可能會延誤，也有可能無法啟動煞車。如果煞車有經常性無法運作的情況，請將工具送至Milwaukee授權的服務中心檢修。

電池

新電池組在經過4到5次的充電和放電後可達到完整容量。久未使用的電池組必須重新充電後再使用。

超過 50° C (122° F) 的高溫會降低電池組的效能。避免暴露於高溫或陽光下(可能導致過熱)。

充電器和電池組的接點處應保持清潔。

為確保最佳電池使用壽命，電池組使用後，應再完全充電。

在極高扭矩、咬合、停轉與短路的情況下會造成高電流，此時工具會震動約兩秒鐘，然後關閉運作。

欲重新啟動，鬆開板機。

在極端的狀況下，電池的內部溫度可能過高。若發生這種情形，電池將自動關閉。

將電池放在充電器上進行充電與重設。

為確保電池的最長壽命，充電完成後，勿將電池繼續留在充電器上。

電池組存放超過 30 天：

將電池組存放於溫度低於27° C 的環境，且避免受潮。

將電池組保持在充電量30% - 50% 的狀態

存放中的電池組應每六個月照常充電一次。

不得將廢棄電池匣與家庭垃圾混合丟棄或加以燃燒。Milwaukee 經銷商提供舊電池收集服務，以維護我們的環境。

勿將電池匣與其他金屬物品一起存放(可能引起短路)。

千萬不可將金屬物件插入充電器的電池部分(導電的風險)。

僅可使用系統 C12 充電器對系統 C12 電池組進行充電。請勿使用其他系統的電池組。

不可拆開蓄電池和充電器。蓄電池和充電器必須儲藏在乾燥的空間，勿讓濕氣滲入。

在極端負載或極端溫度下，損壞的電池可能漏出內部酸液。若碰觸到電池酸液，請即刻用肥皂與清水洗去。

若酸液接觸到眼睛，用清水沖洗至少10分鐘後立即就醫。

在機器上做任何調整前，請先取出電池組。

電池組保護

在極高扭矩、咬合、停轉與短路的情況下會造成高電流，此時工具會震動約五秒鐘，然後關閉運作。

欲重新啟動，鬆開板機。

在極端的狀況下，電池的內部溫度可能過高。如果發生這個情形，能源表會開始閃燈直到電池匣冷卻為止。燈熄後應可以繼續運作。

將電池放在充電器上進行充電與重設。

維修

B安裝或移除鋸片之前，務必切離機器與主电源的連接。

使用乾布清潔工具與防護罩。特定清潔劑和溶劑會損壞塑膠和其他絕緣配件。

維持把手清潔、乾燥，以及無油污污漬。

檢查防護裝置。

定期維修和清潔能確保機器使用壽命與操作安全。

機器通風口務必隨時保持清潔。





請使用Milwaukee的配件和零件。缺少檢修說明的機件如果損壞了，必須交給Milwaukee的顧客服務中心更換。

如果需要機器的分解圖，可以向您的顧客服務中心查詢。索件時必須提供以下資料：機型和機器銘牌上的六位數號碼。

符號



警告!



啟動機器前，務必詳閱說明書。



操作機器時務必佩戴護目鏡。



在機器上進行任何維修之前，務必從插座上拔出插頭。



配件 - 不包含在供貨範圍中。請另外從配件目錄選購。



電動工具必須與生活垃圾分開處理。電動工具和已不能使用的電子設備必須分開收集，並且把它帶到環保回收機構。有關回收的建議和收集點，請諮詢你的地方當局或零售商。



技术数据 中文	M12 CCS44
------------	-----------

无负载转速	3600 min ⁻¹
锯刀直径 x 锯刀孔直径	140 x 20 mm
锯片厚度	1,0 mm
切深在 度 0°/45°/50°	44 / 33 / 27 mm
蓄电池电压	12 V
重量符合EPTA - Procedure01 / 2003 (4,0 Ah)	2,7 kg
噪音信息 本测量值符合 EN 60704-1 条文的规定。器械的标准A-值噪音级为：	
##音压值 (K-不可靠性=3dB(A))	82,0 dB(A)
##音量值 (K-不可靠性=3dB(A))	93,0 dB(A)
请戴上护耳罩！	
振动信息 依欧盟EN 60745 标准确定的振荡总值（三方向矢量和）。 木材锯开: 振荡发射值 a _{h,w} K-不可靠性 =	
	1,46 m/s ² 1,5 m/s ²

注意

本规程列出的依欧盟EN 60745 标准一项标准测量方法测量的振荡级也可用于电动工具比较并适合于临时振荡负荷估计。

该振荡级代表电动工具的主要应用。电动工具的其他应用·不正确的工作工具或欠缺维护可造成振荡级偏差。此可明确提高总工作期间的振荡负荷。

正确地估计一定工作期间的振荡负荷也要考虑到工具关闭或接通而不使用的期间。此可明确减少总工作期间的振荡负荷。

为提高操作人员对振荡作用的保护得规定补充安全措施：电动工具及工作工具的维护·温手·工作过程组织等。



警告！

阅读所有警告和所有说明。不遵照以下警告和说明会导致电击、着火和/或严重伤害。

保存所有警告和说明书以备查阅。



有关手提圆锯机的安全提示

切锯方法

- a) 危险双手必须摆在切割范围之外并且远离锯片。操作机器时，第二隻手握牢辅助手柄或放在马达壳上。如果使用双手握持圆锯，便不会被锯片割伤。
- b) 不可以把手放在工件的下面。防护罩无法保护摆在工件下面的手。
- c) 根据工件的厚度设定锯深。不可以让锯齿完全突出於工件之外。
- d) 不可以把正在切割的工件拿在手上或放在腿上。工件必须固定在稳固的平台上。固定好工件之后，不仅可以防止身体意外接触刀片，並且可以降低锯片被卡住或操纵失控的情况。

e) 切割工具会碰到隐藏电线或自己的电缆时，电动工具如果接触了带电的线路，机器上的金属部件会导电，並可能造成操作者触电。

f) 纵割时必须使用档块或直角导引。如此不仅可以增加锯割的准确度，而且可以降低锯片被卡住的机会。

g) 必须使用固定孔尺寸和大小正确的锯片，而且锯片中心的孔要和接头法兰的形状一致（星形或圆形）。锯片的安装孔，如果不能配合锯片的安装部件，开动机器后锯片会偏心运转，甚至会发生失控的状况。

h) 切勿使用损坏的或不合适的锯片垫圈、锯片螺钉。锯片垫圈和锯片螺钉，都是针对个别圆锯经过特别设计。使用了正确的垫圈和螺钉不仅可以提高工作效率，更能够确保操作安全。

反弹的原因和如何避免反弹:

- 所谓反弹，指的是一种突然的机器反力。导致机器反弹的原因可能是：锯片式滑动、钩住了卡住了的或者锯器会从工件中移出。此著操作者的方向移动；

- 如果锯片被钩住后卡在锯缝中，锯片力会转，会迅速地使机器弹向操作者；

- 如果锯片在锯缝中扭曲了或者未安装正确，可能导致锯片后端的锯齿卡在工件中，并且锯片会把整个锯片猛地朝操作者的方向弹跳。

- 使用错了或避免上述情况，都会导致圆锯反弹。请确保安全。

a) 使用双手握紧圆锯，持机的姿势必须能够抵挡住机器强大的反力。操作时要以让锯片和身体站在同一直线上。反弹时圆锯会向后冲撞，但操作者如能及时正确的防范措施，便能够及时控制住反力。

b) 如果锯片卡住了，或锯割过程因为任何原因突然中断了，必须马上放鬆起开开关，并静待插在工件中的锯片完全停止运动。只要锯片仍继续运动，千万不可尝试著从工件中拔出锯片，或向后抽拉圆锯，否则可能发生反弹。找出导致锯片卡住的原因，并设法排除障碍。

c) 重新开动插在工件中的圆锯时，必须先把锯片放在锯缝的中心，然后检查是否仍有锯齿陷在工件中。如果锯片被卡住了，重新开动机器时，锯片可能滑出锯缝或者导致机器反弹。

d) 固定好大的平板，以防止锯片被卡住以及机器反弹。大的平板由于自身重量容易向下弯曲，必须在平板下端的两侧安放支撑，一个放在锯线的附近，一个放在平板的边缘。

e) 不可使用已经变钝或受损的锯片。锯齿如果已经变钝或位置不正，容易因为锯缝过窄，而提高锯割时的磨擦、卡住锯片并引起反弹。

f) 锯割之前必须收紧锯深调整杆和锯角调整杆。如果锯割时设定突然改变了，可能导致锯片被卡牢并且引起反弹。

g) 在墙壁和隐蔽处进行潜锯时必须特别留心。突出的锯片可能接触会引起反弹的物品。

下面保护罩的功能

a) 使用机器之前先检查下防护罩是否能正确关闭。切勿使用下防护罩无法自由移动、无法马固定在地面的位置。如果不小心让电锯掉落，下防护罩可能弯曲变形，使用推杆打开防护罩，并检查防护罩是否能自由移动。在任何锯割角度和锯割深度，防护罩都不能接触锯片或其它的机件。

b) 检查下防护罩弹簧的运作功能。如果下防护罩和弹簧无法正常运作，则必须在使用前把机器送给专业人员进行维修。损坏的零件、残留留在防护罩上的树脂或锯屑，都会减缓下防护罩的反应速度。

c) 只有进行特别的锯割过程时，例如潜锯和复合式锯法，才可以用手推开下防护罩。使用推柄打开下防护罩，一旦锯片咬住工件，便要马上放开下防护罩。在其它的锯割过程，都应该让下防护罩自动打开、关闭。

d) 把圆锯放在工作台或地板上之前，务必检查下防护罩是否已经完全遮盖住锯片。如果防护罩未关闭，而锯片仍继续转动，整个电锯会向后滑走，并割坏所有锯线范围内的物品。注意关闭后，锯片继续转动至完全停止所需的时间。

其它安全和工作指示

请戴上耳罩。所发生的噪声会导致听力损失。

使用防护装备。操作机器时务必佩戴护目镜。最好也使用下列的防护装备，例如防尘面具、护手套、坚固而且止滑的工作鞋、安全头盔和耳罩等。

工作中产生的粉尘往往有害健康，最好不要让此类物质接触身体。操作机器时请使用吸尘装置并佩戴防尘面罩。彻底清除堆积的灰尘，例如使用吸尘器。

锯刀片的规格如果与本说明书提供的规格不符，请勿使用。

用手操作机器时不可固定起停开关。

不可安装研磨片。

为避免锯齿过热或切割塑料时材料融化，应使用合适的进给速度。

在机器上进行任何修护工作之前，先拿出蓄电池。

正确地使用机器

本电动手提圆锯可以在木材、上进行直线割锯。

请依照本说明书的指示使用此机器。

电动制动器

开放开关按钮后2秒左右，电动制动器将制动锯片。电动制动器有可能延迟开动。有时电动制动器无效。如果电动制动器经常无效，必须把电锯交给授权密尔沃基服务中心。锯片停止后，才能把电锯从工件拔出。

蓄电池

长期储放的蓄电池，必须先充电再使用。

如果周围环境的温度超过摄氏 50 度，蓄电池的功能会减弱。勿让蓄电池长期暴露在阳光或暖气下。

充电器和蓄电池的接触点都必须保持干净。

为获得最长寿命，使用后应把蓄电池充满电。

为确保最长使用寿命，充电后应把蓄电池从充电器取出。

蓄电池储存时间长于30日：在环境温度27°C左右干燥处储存蓄电池。在百分之30至50充电状态储存蓄电池。每6月重新充电。

损坏的蓄电池不可以丢入火中或一般的家庭垃圾中。Milwaukee 提供了符合环保要求的回收项目：请向您的专业经销商索取有关详情。

蓄电池不可以和金属物体存放在一起（可能产生短路）。

C12 系列的蓄电池只能和 C12 系列的充电器配合使用。不可以使用本充电器为其它系列的电池充电。

不可拆开蓄电池和充电器。蓄电池和充电器必须储藏在干燥的空间，勿让湿气渗入。

在过度超荷或极端的温度下，可能从损坏的蓄电池中流出液体。如果触摸了此液体，必须马上使用肥皂和大量清水冲洗。如果此类流体侵入眼睛，马上用清水彻底清洗眼睛（至少冲洗 10 分钟），接着即刻就医治疗。

充电器的充电格中，不可以存在任何金属物质（可能产生短路）。

蓄电池超载保护

极端高扭矩、钻头被卡住、突然停止或短路等情况下特别高电流消耗所造成蓄电池超载时，电动工具发出哼声两秒并自动断开。为继续工作，放开开关按钮并再接通。极端超载时，蓄电池过热。这种情况下，蓄电池自动断开。此时，将蓄电池插入充电器，再充电并激活蓄电池。

维修

安装或拆卸锯片前，务必确保工具已从电源切断。

应用干布清洁机器和防护装置。

某些清洁剂可能会侵蚀机器上的塑料或绝缘部件。

务必把机器维持清洁和干燥并清洁流出的油和脂。

务必经常检查防护罩的安全作用。

务必经常把机器维护并清洁，以确保机器的长期寿命和安全操作。

机器的通气孔必须随时保持清洁。

只能使用 Milwaukee 的配件和 Milwaukee 的零件。缺少检修说明的机件如果损坏了，必须交给 Milwaukee 的顾客服务中心更换（参考手册“保证书/顾客服务中心地址”）。

如果需要机器的分解图，可以向您的顾客服务中心。零件时必须提供以下资料：机型和机器铭牌上的六位数码码。

符号



请注意！警告！危险！



使用本机器之前请详细阅读使用说明书。



操作机器时务必佩戴护目镜。



在机器上进行任何修护工作之前，先拿出蓄电池。



配件 - 不包含在供货范围中。请另外从配件目录选购。



电气工具必须与生活垃圾分开处理。电气机器和电子机器必须单独分开收集并送到回收站以确保符合环境保护的处理。有关回收站和收集站的细节，请与主管当局或您的专业经销商联络。



기술 사양 원형 톱	M12 CCS44
무부하 속도	3600 min ⁻¹
톱날 직경 x 구멍 직경 블레이드를 보았다 두께 0°/90°/45°에서의 최대 절삭 깊이 배터리 전압 EPTA-Procedure 01/2003에 따른 무게	140 x 20 mm 1,00 mm 44 / 33 / 27 mm 12V 2,7 kg
소음/진동 정보 EN60 745 에 따른 측정값 \uparrow 일반적인 A- 측정소음레벨: 음압레벨 (K = 3 dB(A)) 소음레벨 (K = 3 dB(A)) 귀마개를 착용하십시오 !	82,0 dB (A) 93,0 dB (A)
중함 진동 값 (세척에 대한 백터값의 합) EN60745 에 따른 측정값	
진동 방사값 $a_{k,w}$ 불확실성 K=	1,46 m/s ² 1,5 m/s ²

⚠ 경고!

여기에 제공된 진동 방사 값은 EN60745 에 따라 표준화된 방법으로 측정된 것이므로 다른 공구와의 비교해서 사용 가능합니다. 그리고 이 값은 노출에 대한 사전 평가값으로 사용 될 수 있습니다. 여기에 선언된 진동값은 전동공구를 정상적인 사용 용도로 사용할 때 해당됩니다. 만약 정상적인 용도이외 다른 용도로 공구를 사용하거나 정품이 아닌 액세서리 혹은 잘 관리 되지 않은 상태의 공구를 사용하신다면 진동방사값은 다를 수 있습니다. 이러한 사용은 총 작업시간에 거쳐 노출의 정도와 양을 심각하게 증대 시킬 수 있습니다. 진동 방사에 대한 노출은 공구가 꺼져있거나, 동작중이지만 실제로 작업을 하지 않는 시간을 고려해야 합니다. 이러한 시간은 총 작업시간에 거쳐 노출의 정도와 양을 심각하게 줄여줄 수 있습니다. 지속적인 공구와 액세서리의 정비 그리고 손을 따뜻하게 유지 관리, 작업패턴의 관리 등 사용자를 진동 노출의 위험으로부터 줄여줄 수 있는 추가적인 안전 방법을 숙지 하십시오.

⚠ 경고!

제품에 동봉된 브로셔를 포함한 모든 안전 경고와 안내를 숙독하십시오. 경고와 안내를 따르지 않는 경우 전기 쇼크나 화재 혹은 심각한 부상을 입을 수 있습니다.
모든 경고와 안내는 차후 참조를 위해 보관하세요.

⚠ 안전 수칙

절삭 절차

- 위험: 절삭 영역과 톱날로부터 손을 멀리 하십시오. 다른 손은 보조 핸들이나 모터 하우징을 쥐고 있으십시오. 양 손으로 톱을 들고 있으면 톱날에 의해 절단될 수 있습니다.
- 공작물 아래에 신체의 일부를 위치시키지 마십시오. 보호 장치는 공작물 아래의 톱날로부터 작업자를 보호하지 못합니다.
- 공작물의 두께에 맞게 절삭 깊이를 조정하십시오. 공작물 아래에 톱니의 전체 길이 미만의 부분이 보여야 합니다.
- 절삭 중인 공작물을 손으로 쥐거나 다리에 걸쳐 두지 마십시오. 안정적인 플랫폼에 공작물을 고정하십시오. 신체의 노출, 톱날의 바인딩 또는 제어 상실을 최소화하기 위해 공작물을 올바르게 지지하는 것이 중요합니다.
- 작업중에는 절단용 액세서리가 숨겨진 전선이나 자기의 전선에 접촉할 수 있습니다. "전기가 통하는" 전선에

접촉하는 부품을 절단하는 작업은 전동 공구의 금속이 노출된 부분으로 "전기가 통하게" 만들어 작업자에게 전기 충격을 줄 수 있습니다.

f) 리핑을 할 때에는 항상 림 팬스나 스트레이트 에지 가이드를 사용하십시오. 이렇게 하면 절삭의 정확도를 향상시키고 톱날의 바인딩 가능성을 줄일 수 있습니다.

g) 항상 정확한 크기와 모양(다이아몬드 또는 원형)의 아버(arbour) 구멍이 있는 톱날을 사용하십시오. 톱의 장착 하드웨어와 일치하지 않는 톱날은 편심 작동으로 인해 제어 상실이 발생할 수 있습니다.

h) 파손되거나 잘못된 블레이드 워셔 또는 볼트를 사용하지 마십시오. 블레이드 워셔와 볼트는 최적의 성능과 작업자의 안전을 위해 톱에 맞게 특별히 설계되었습니다.

킵백의 원인과 관련 경고:

킵백은 끼거나, 바인딩되거나, 잘못 정렬된 톱날에 대한 갑작스러운 반응으로, 통제되지 않은 톱이 공작물을 벗어나 작업자 쪽으로 들어올려지게 합니다.

톱날이 끼거나 좁아지는 치폭으로 인해 밀접하게 바인딩되면, 톱날이 멈추면서 모터의 반응으로 인해 장치가 빠른 속도로 작업자 쪽으로 움직입니다.

절삭 시 톱날이 뒤틀리거나 잘못 정렬된 경우에는 톱날 뒷면 가장자리의 톱니가 목재의 상단 표면 안으로 파고 들어가 톱날이 치폭을 벗어나 튀어 오르면서 작업자 쪽으로 다시 이동할 수 있습니다.

킵백은 톱의 오용 및/또는 잘못된 운영 절차나 조건의 결과로





발생하며, 아래의 적절한 예방 조치를 취함으로써 방지할 수 있습니다.

- a) 톱을 양 손으로 꼭 전 상태를 유지하면서 킥백의 힘에 저항할 수 있도록 팔을 위치시킵니다. 몸은 톱날의 어느 쪽에 두어도 상관 없지만 톱날과 일직선이 되어서는 안 됩니다. 킥백은 톱이 뒤로 튀어 오르는 원인이 될 수 있지만, 적절한 예방 조치를 취하면 작업자가 킥백의 힘을 제어할 수 있습니다.
- b) 톱날이 바인딩되거나 어떤 이유로 인해 절삭을 중단해야 할 경우에는 트리거를 풀고 톱날이 완전히 멈출 때까지 톱을 움직이지 않고 들고 있습니다. 톱날이 움직이는 동안 공작물에서 톱을 빼거나 톱을 뒤로 당기지 마십시오. 킥백이 발생할 수 있습니다. 조사를 한 후 톱날의 바인딩 원인을 제거하기 위한 적절한 조치를 취합니다.
- c) 공작물에 있는 톱을 다시 시작하려면, 톱날을 치목의 중심에 두고 톱기가 재료에 물려있지 않는지 확인합니다. 톱날이 바인딩된 경우에는 톱이 다시 시작될 때 공작물 위로 올라오거나 킥백이 발생할 수 있습니다.
- d) 날이 끼거나 킥백이 발생하는 것을 최소화하기 위해 큰 패널로 지지합니다. 큰 패널은 자신의 무게로 인해 처지는 경향이 있습니다. 패널의 양 측면과 절단선 근처, 그리고 패널의 가장자리 근처에 지지대를 배치해야 합니다.
- e) 무더기나 손상된 톱날을 사용하지 마십시오. 날카롭지 않거나 잘못 설정된 톱날은 치목이 좁아져 과도한 마찰, 톱날의 바인딩 및 킥백의 원인이 됩니다.
- f) 절삭을 하기 전에 톱날 깊이 및 경사 조정 잠금 레버는 단단하게 고정되어 있어야 합니다. 절삭 시 톱날 조정 장치와 움직이면 바인딩과 킥백이 발생할 수 있습니다.
- g) 기존의 벽이나 다른 블라인드 영역으로 톱질을 할 때에는 특별한 주의를 기울이십시오. 돌출한 톱날은 물체를 절단하고 킥백의 원인이 될 수 있습니다.

하부 가드 기능

- a) 매번 사용 전에 하부 가드가 제대로 닫혀 있는지 확인합니다. 하부 가드가 자유롭게 이동하고 즉시 닫히지 않으면 톱을 사용하지 마십시오. 하부 가드를 개방 위치로 고정시키거나 묶지 마십시오. 톱을 실수로 떨어뜨린 경우에는 하부 가드가 구부러질 수 있습니다. 후진 핸들로 하부 가드를 들어 올려서 하부 가드가 자유롭게 이동하며 절삭의 모든 각도와 깊이에서 톱날에 닿지 않도록 확인합니다.
- b) 하부 가드 스프링의 작동 상태를 확인합니다. 가드와 스프링이 제대로 작동하지 않는 경우에는 사용하기 전에 수리를 받아야 합니다. 하부 가드는 손상된 부품, 정성 물질의 침착, 파편 축적 등으로 인해 느리게 작동할 수 있습니다.
- c) 하부 가드는 “플러지 컷”이나 “경절삭”과 같은 특수 절삭에 대해서만 수동으로 후퇴될 수 있습니다. 핸들을 후퇴시켜 하부 가드를 올리고, 톱날이 재료에 들어가면 바로 하부 가드를 해제해야 합니다. 다른 모든 톱질의 경우에는 하부 가드가 자동으로 작동해야 합니다.
- d) 톱을 벤치나 플로어에 놓기 전에 항상 하부 가드가 톱날을 덮고 있는지 관찰합니다. 보호되지 않은 상태로 움직이는 톱날은 톱이 뒤로 이동하게 하여 경로에 있는 모든 것들을 절삭합니다. 스위치를 해제한 후 톱날이 멈출 때까지 걸리는 시간을 알고 있어야 합니다.

추가 안전 작업 지침

- 귀마개를 착용하십시오. 지속적인 소음에의 노출은 청력손상을 유발합니다.
- 개인 보호 장비를 사용하십시오. 항상 보안경을 착용하십시오. 방진 마스크, 미끄럼 방지 안전화, 안전모 또는 적절한 조건에서 사용되는 청력 보호 장비는 상해의 위험을 줄일 수 있습니다.
- 이 공구를 사용할 때 생성되는 먼지는 건강에 유해할 수 있습니다. 먼지를 흡입하지 마십시오. 먼지 흡수 시스템을 사용하고 적합한 방진 마스크를 착용하십시오. 진공 청소기 등을 사용하여 증착된 먼지를 제거하십시오.
- 사용을 위한 지침에 있는 키 데이터에 일치하지 않는 톱날은

사용하지 마십시오.

- 톱을 휴대용으로 사용하는 경우에는 ON/OFF 스위치를 “ON” 위치에 고정하지 마십시오.
- 이 기계에 마모 디스크를 사용하지 마십시오!
- 절삭 중 톱날 끝의 과열과 플라스틱 재료의 용융을 방지하기 위해 공급 속도를 조정하십시오.
- 공구에 어떤 작업을 하기전에 배터리팩을 제거 하십시오.

사용조건

이 전자식 원형 톱은 목재를 길이 방향 및 비스듬한 방향으로 자를 수 있습니다.
이 제품을 정상 사용에 나열되지 않는 다른 용도로 사용하지 마십시오.

전기 브레이크

방아쇠를 놓으면 전기 브레이크가 작동되어 날을 멈추게 해서 작업을 계속 진행할 수 있게 해 준다. 일반적으로 톱날은 2 초 안에 멈춘다. 그러나 방아쇠를 놓는 시간과 브레이크가 작동하는 시간 사이에 지체가 있을 수 있다. 때때로 브레이크가 완전히 놓치는 경우가 있다. 브레이크가 자주 놓치는 현상이 발생하면 밀워기 서비스부에 서비스를 받아야 한다.
톱을 작업물에서 제거하기 전에 날이 완전히 멈출 때까지 기다려야 한다.

배터리

새 배터리는 4-5회의 충전과 방전 이후에 최대 충전 능력에 다다르게 됩니다. 한창동안 사용하지 않으신 경우에는 사용하기 전에 반드시 충전하셔야 합니다.
섭씨 50도 (122°F) 가 넘는 온도는 배터리팩 성능을 저하 시킵니다. 장시간 열 혹은 햇빛에 노출시키지 마십시오.(과열의 위험)
배터리와 충전기의 접촉부위는 깨끗해야 합니다.
최적의 수명을 위해, 배터리팩은 사용후 반드시 완충전 작업을해줍니다.
C12 시스템 배터리를 충전하실 때는 C12 시스템 충전기만을 사용하십시오. 다른 충전기에 충전하지 마십시오.
30일 이상 배터리팩을 보관할 경우:
온도가 27°C 이하 이고 습하지 않은 곳에서 배터리를 보관 합니다.
배터리팩은 30% -50% 충전된 상태로 보관 합니다.
6개월마다 보관중인 배터리를 정상 충전 합니다.
최적의 수명을 위해, 배터리팩은 사용후 반드시 완충전 작업을 해줍니다.

배터리팩 보호

전류 소모의 원인이 되는 고 토크, 바인딩, 지연 및 단락 상황에서는 공구가 약 2초 동안 정지한 후 꺼집니다.
재설정을 하려면 트리거를 해제합니다.
극단적인 상황에서는 배터리의 내부 온도가 너무 높아질 수 있습니다. 이러한 경우에는 배터리가 차단됩니다.
배터리를 충전 및 재설정하려면 충전기에 놓습니다.

유지보수

톱날을 부착 또는 제거하기 전에 공구를 전원으로부터 분리해야 합니다.
마른 천으로 공구와 보호 시스템을 청소합니다.





일부 세척제와 용제는 플라스틱과 다른 절연부에 유해합니다. 누출된 오일이나 그리스가 없도록 장치 핸들을 깨끗하고 건조하게 유지합니다.

가드의 기능을 확인합니다.

정기적인 유지 보수 및 청소는 긴 수명과 안전한 작동을 제공합니다.

기계 통풍구는 항상 청결을 유지시켜야 합니다.

교체에는 특수 목적 공구가 필요합니다. 반드시 MILWAUKEE의 부속품과 예비 부품들만을 사용하시기 바랍니다.

설명서에 명시되어 있지 않은 부품들을 교체해야 할 경우, MILWAUKEE 서비스센터로 연락 주시기 바랍니다.

만약 고객께서 필요로 하신다면, 공구의 조립도도 주문하실 수 있습니다.

라벨에 적혀있는 공구의 타입과 모델번호를 적으신 후, 가까운 서비스 센터나 혹은 아래의 주소로 직접 조립도를 주문하시기 바랍니다.

상징



경고!



공구를 동작시키기 전에 사용설명서를 숙독하십시오.



기계를 사용할 때 반드시 보호 안경을 착용하십시오.



공구에 어떤 작업을 하기전에 배터리를 제거 하십시오.



액세서리 - 표준 장비에 포함되어 있지 않음. 액세서리로 구입할 수 있음.



전동 공구를 집안의 쓰레기와 함께 버리지 마십시오. 수명이 다한 전동 공구와 전자 장비는 분리 수거하여 환경적으로 적절한 재활용 시설로 회수하여야 합니다. 지방 대리점 및 소매점에 재활용 조건 준수 및 수거 장소를 점검하십시오.





ข้อมูลทางเทคนิค	M12 CCS44
เลื่อยยางเดือน	
ความเร็วโดยไม่มีภาระโหลด	3600 min ⁻¹
เส้นผ่านศูนย์กลางมีดใบเลื่อยXเส้นผ่าศูนย์กลางรู	140 x 20 mm
เห็นความหนาของ ใบมีด	1,00 mm
ความลึกการตัดสูงสุดที่ 0°/45°/50°	44 / 33 / 27 mm
แรงดัน ไฟแบตเตอรี่	12 V
น้ำหนักตามขั้นตอน EPTA-01/2003 (2,0 Ah)	2,7 kg
ข้อมูลความดังเสียง/การสั่นสะเทือน	
กำหนดค่าที่วัดตามมาตรฐาน EN 60745 ตามปกติ น้ำหนักระดับเสียง A ของเครื่องมือที่มี:	
ระดับความดันของเสียง (K = 3 dB(A))	82,0 dB (A)
ระดับพลังเสียง (K = 3 dB(A))	93,0 dB (A)
สามที่ครอบหู!	
ค่าการสั่นสะเทือนทั้งหมด(ผลรวมเวกเตอร์ในสามแกน)กำหนดตามมาตรฐาน EN 60745.	
ค่าการปล่อยแรงสั่นสะเทือน a _{h,w}	1,46 m/s ²
ความไม่แน่นอน K	1,5 m/s ²

⚠ คำเตือน!

ระดับความสั่นสะเทือนที่ปล่อยออกมา ในแผนข้อมูลเหล่านี้ เป็นการตรวจวัดตามการทดสอบมาตรฐานของ EN 60745 และอาจนำมาใช้เปรียบเทียบเครื่องมือต่าง ๆ กับกันและกันได้ ข้อมูลนี้สามารถใช้สำหรับการทดสอบด้านการสัมผัสเบื้องต้นได้

ระดับความสั่นสะเทือนที่ปล่อยออกมาที่ประกาศไว้นี้หมายถึงการใช้เครื่องมือโดยวิธีหลัก หากมีการใช้เครื่องมือเพื่อจุดประสงค์อื่น ด้วยอุปกรณ์เสริมอื่น ๆ หรือมีการบำรุงรักษาที่ไม่เพียงพอ ระดับความสั่นสะเทือนก็จะแตกต่างกันไป และเพราะเหตุนี้ ระดับการสัมผัสในช่วงเวลาทำงานจึงอาจเพิ่มขึ้นเป็นจำนวนมาก

ควรมีการประเมินการสัมผัสระดับความสั่นสะเทือนในขณะที่ไม่ได้ใช้เครื่องมือหรือใช้งานอยู่แต่ไม่ได้ทำงานจริงด้วย และเพราะเหตุนี้ ระดับการสัมผัสในช่วงเวลาทำงานจึงอาจลดลงเป็นจำนวนมาก

โปรดระบุวิธีการรักษาความปลอดภัยเพิ่มเติมเพื่อปกป้องผู้ใช้งานจากผลของการสั่นสะเทือน เช่นการบำรุงรักษาเครื่องมือและอุปกรณ์เสริม รักษาความอุ่นของมือ และการบริหารรูปแบบการทำงาน

⚠ คำเตือน!

อ่านคำเตือนเรื่องความปลอดภัยและคำสั่งทั้งหมด รวมถึงในโบรชัวร์ประกอบ หากไม่ปฏิบัติตามคำเตือนและคำสั่งอาจส่งผลให้เกิดไฟฟ้าช็อต ไฟไหม้และ/หรือบาดเจ็บสาหัสได้

บันทึกคำเตือนและคำแนะนำทั้งหมดสำหรับการอ้างอิงในอนาคต

⚠ คำแนะนำด้านความปลอดภัย

ขั้นตอนการตัด

- อันตราย: อย่านำมืออยู่ใกล้พื้นที่การตัดและใบมีด ให้มีอ็อกซิเจนของคุณจับตรงที่จับเสริมหรือตรงตัวมอเตอร์ กำมือทั้งสองข้างถือเลื่อย มันอาจถูกตัดโดยใบมีดได้
- อย่าตัดให้ถึงด้านล่างของชิ้นงาน ตัวป้องกันไม่สามารถป้องกันคุณจากใบมีดด้านล่างชิ้นงานได้
- ปรับความลึกของการตัดให้เท่ากับความหนาของชิ้นงาน น้อยกว่าพื้นเลื่อยเพิ่มใบครกจะมองเห็นด้านล่างชิ้นงาน
- ห้ามถือชิ้นส่วนที่กำลังตัดไว้ในมือหรือพาดข้ามขาของคุณ ยึดชิ้นงานกับแพลตฟอร์มที่มีความเสถียร มันเป็นสิ่งสำคัญที่จะช่วยเหลือการทำงานอย่าง

ถูกต้องเพื่อลดความเสี่ยงต่อร่างกาย ใบมีดพ่นกัน หรือสูญเสียการควบคุม

e) ถือเครื่องมือไฟฟ้าโดยจับที่ฉนวนนาน เมื่อทำงานในบริเวณที่ตัวยึดอาจสัมผัสสายไฟที่ซ่อนอยู่ ตัวยึดที่สัมผัสกับ "ลวด" ไฟฟ้าและอาจทำให้ผู้ใช้ถูกไฟฟ้าช็อตได้

f) เมื่อฉีกออกให้ใช้ที่กันหรือขอบแบบตรงเป็นต้นนำ นี้จะช่วยให้ความแม่นยำในการตัดและช่วยลดโอกาสของใบมีดพ่นกัน

g) ใช้ใบมีดที่มีขนาดและรูปร่างที่ถูกต้องเสมอ (ข้าวหลามตัดกับทรงกลม) ของแกนรู ใบมีดที่ไม่ตรงกับส่วนที่ติดกับฮาร์ดแวร์ของเลื่อยจะทำงานไม่ตรง ทำให้สูญเสียการควบคุม

h) ห้ามใช้แหวนใบมีดหรือสลักเกี้ยวที่เสียหายหรือไม่ถูกต้อง วงแหวนใบมีดหรือสลักเกี้ยวได้รับการออกแบบมาเป็นพิเศษสำหรับเลื่อยของคุณเพื่อประสิทธิภาพและความปลอดภัยของการทำงานสูงสุด

สาเหตุของการติดกลับและคำเตือนที่เกี่ยวข้อง

- การติดกลับเป็นปฏิกิริยาที่เกิดขึ้นทันทีกับใบเลื่อยที่หนึบ จับหรือผิดตำแหน่ง เป็นเหตุให้เลื่อยที่ควบคุมไม่ได้ยกขึ้นและออกจากชิ้นงานไปยังผู้ใช้งาน;
- เมื่อใบมีดมีการบิ่นหรือจับแน่นมากจากรอยตัดที่ปิดลง แฝงใบมีดและปฏิกิริยาของมอเตอร์จะจับให้ตำแหน่งหลักไปยังหลังหาผู้ใช้งานอย่างรวดเร็ว;
- ถ้าใบมีดบิดหรือผิดตำแหน่งในการตัด พื่นที่ขอบด้านล่างของใบมีด





สามารถขูดลงไปในพื้นผิวด้านบนของไม้ เป็นเหตุให้ไม้บิดเป็นอกรจากรอยตัดและกระโดดได้ผู้ใช้ได้

การติดกลับเป็นผลมาจากการใช้เลื่อยไม่ถูกต้องและ/หรือผิดวิธี หรือเงื่อนไข และสามารถหลีกเลี่ยงได้โดยการทำตามคำแนะนำที่กำหนดด้านล่าง

- a) จับเลื่อยให้แน่นด้วยมือทั้งสองและวางตำแหน่งของแขนของคุณให้ด้านแรงติดกลับได้ ให้ตำแหน่งร่างกายของคุณอยู่ที่ด้านใดด้านหนึ่งของไม้ตัด แต่ไม้ได้อยู่ในแนวเดียวกับกับไม้ตัด การติดกลับอาจทำให้เลื่อยกระโดดไปข้างหลัง สามารถควบคุมแรงติดกลับได้โดยผู้ใช้ หากมีการระมัดระวังที่เหมาะสม
- b) เมื่อไม้มิดติดหรือขัดการตัด ไม่ว่าจะด้วยเหตุผลใดก็ตาม ปลดปล่อยคันโยกค้ำงไว้ เงาะนในไม้หยุดโดยสมบูรณ์ อย่าพยายามที่จะเอาเลื่อยจากการทำงานหรือดึงเลื่อยไปข้างหลังในขณะที่ไม้ยังมีเคลื่อน เหวหรืออาจเกิดการติดกลับขึ้นได้ ตรวจจับและทำการแก้ไขเพื่อขจัดสาเหตุของไม้มิดติด
- c) เมื่อเปิดเลื่อยทำงานอีกครั้งในชิ้นงาน ทำให้ใบเลื่อยอยู่ตรงกลางรอยตัด และตรวจจับว่าฟันเลื่อยไม่ได้ติดอยู่ในวัสดุ ถ้าใบเลื่อยติด มันอาจจะเดินหน้าหรือติดกลับจากชิ้นงานที่เพิ่งจะตัดเครื่องใหม่
- d) มีแผนงานขนาดใหญ่เพื่อลดความเสี่ยงของการจับและติดกลับของ ไม้มิด ผงขนาดใหญ่มีแนวโน้มที่จะลวดลงภายใต้น้ำหนักของตัวเอง ตัวหนุ่นต้องว่าได้แห้งทั้งสองด้าน โกล์กันแนวตดและอยู่ใกล้กับขอบของแผง
- e) อย่าใช้ไม้มิดที่หรือเสียหาย ไม้มิดที่ไม่คมหรือไม้ถูกตัดอาจทำให้เกิดรอยตดที่แตก ทำให้เกิดแรงเสียดทานมากขึ้นไป ไม้มิดติดและติดกลับ
- f) ความลึกของไม้มิดและการปรับความเอียงตามโยกล็อคต้องแน่นและมีความปลอดภัยก่อนที่จะทำการตัด หากการปรับไม้มิดเลื่อนในขณะที่ตัด มันอาจทำให้เกิดการติดและติดกลับได้
- g) ใช้ความระมัดระวังเป็นพิเศษเมื่อเลื่อยเข้าไปในผนังหรือพื้นที่ยึดถาวรอื่น ๆ ไม้มิดที่ยื่นออกมาอาจตัดวัตถุที่สามารถทำให้เกิดการติดกลับได้

หน้าที่ป้องกันด้านล่าง

- a) ตรวจสอบที่ป้องกันด้านล่างว่าปิดลงอย่างถูกต้องก่อนการใช้งานแต่ละครั้ง อย่าเปิดใช้เลื่อยหากเห็นว่าที่ป้องกันด้านล่างไม่ได้เคลื่อนไหวอย่างอิสระและปิดทันที อย่าใช้สับยึดหรือมัดที่ป้องกันด้านล่างเข้ากับตำแหน่งที่เบ็ดโล่ง หากเลื่อยหล่นโดยไม่ตั้งใจ ที่ป้องกันด้านล่างอาจโค้งงอได้ ยกที่ป้องกันด้านล่างด้วยที่จับที่หกดกลับได้และแน่ใจว่ามีเคลื่อนที่ได้อย่างอิสระและไม่ได้สัมผัสกับเลื่อยหรือส่วนอื่น ๆ ในทงมุมและหกดความลึกของการตัด
- b) ตรวจสอบการทำงานของสปริงของเครื่องป้องกันด้านล่าง หากที่ป้องกันและสปริงทำงานไม่ถูกต้อง พวกมันจะต้องได้รับการบริการก่อนการใช้งาน ที่ป้องกันด้านล่างอาจทำงานผิดพลาดเนื่องจากชิ้นส่วนที่เสียหาย เศษสะสมหรือฝุ่นละอองสะสม
- c) ที่ป้องกันด้านล่างอาจจะกอนได้ด้วยตนเองในกรณีที่เป็นการตัดแบบพิเศษ เช่น "การเจาะตด" และ "การตัดแบบผสม" ยกที่ป้องกันด้านล่างได้โดยการกอนที่จับและหันที่ที่ไม้มิดเข้าไปในวัสดุ ที่ป้องกันด้านล่างจะต้องถูกปล่อยออกมา สำหรับการเลื่อยอื่น ๆ ที่ป้องกันด้านล่างควรทำงานโดยอัตโนมัติ
- d) คอยสังเกตอยู่เสมอว่าที่ป้องกันด้านล่างจะครอบไม้มิดก่อนที่จะวางเลื่อยลงบนโต๊ะทำงานหรือพื้น ไม้มิดเลื่อนที่ไม่มีกรป้องกันจะทำให้เลื่อยเดินไปข้างหลัง ตดทุกอย่างที่อยู่เส่นทาง อย่าลืมนักถึงเวลาที่ไม้มิดใช้สำหรับให้ไม้มิดหยุดหลังจากที่ปล่อยสวิตช์

คำแนะนำด้านความปลอดภัยเพิ่มเติม:

สวมที่ครอบหู เลียงที่ดังอาจทำให้เกิดสูญเสียการได้ยิน
ใช้อุปกรณ์ป้องกันส่วนบุคคล สวมอุปกรณ์ป้องกันตาตาอยู่เสมอ อุปกรณ์ป้องกัน เช่น หน้ากากกันฝุ่น รองเท้ากันสน หมวกแข็ง หรือเครื่องป้องกันการได้ยินสำหรับแต่ละสภาพจะช่วยลดการ

บาดเจ็บส่วนบุคคลได้พบที่เกิดจากการใช้เครื่องมือนี้อาจเป็นอันตรายต่อสุขภาพ

ห้ามสูดดมฝุ่น สวมหน้ากากป้องกันฝุ่นละอองที่เหมาะสม

ฝุ่นที่เกิดขึ้นจากการใช้เครื่องมือนี้อาจเป็นอันตรายต่อสุขภาพ ห้ามสูดดมฝุ่น ใช้ระบบการดูดซึมฝุ่นและสวมหน้ากากป้องกันฝุ่นละอองที่เหมาะสม เอาฝุ่นที่สะสมไว้หรืออย่างละเอียด เช่น ใช้เครื่องดูดฝุ่น

อย่าใช้ใบเลื่อยที่ไม่ตรงกับข้อมูลสำคัญที่ให้ไว้ในคำแนะนำสำหรับการใช้งาน

อย่ากดสวิตช์เปิด / ปิดไว้ในตำแหน่ง "เปิด" เมื่อใช้เลื่อยมือถือ

กรุณาอย่าใช้งานซัดสีในเครื่องนี้!

ปรับความเร็วตัวพืดเพื่อหลีกเลี่ยงปลายใบมีดร่อนเกินไป และเพื่อหลีกเลี่ยงวัสดุพลาสติกละลายระหว่างการตัด

ถอดชุดก่อนแบตเตอรี่ก่อนที่จะเริ่มการทำงานได้

เงื่อนไขที่ระบุไว้ในการใช้

เลื่อยวงเดือนไฟฟ้าสามารถตัดตามยาวและองศาในไม้ได้อย่างแม่นยำ อย่างไรก็ตามใช้ผลิตภัณฑ์ในลักษณะอื่นนอกเหนือจากที่กำหนด

เบรกไฟฟ้า

เบรกไฟฟ้าทำงานเมื่อโกถูกปล่อยออกมา เป็นเหตุให้ไม้มิดหยุดและปล่อยให้คุณสามารถทำงานของคุณต่อไปได้ โดยทั่วไปใบเลื่อยจะหยุดภายในสองวินาที แต่อาจมีความล่าช้าในช่วงที่คุณปล่อยใบเลื่อยตอนทีเบรกทำงาน บางครั้งเบรกอาจจะพลาดทั้งหมด หากเบรกพลาดบ่อยครั้ง เลื่อยต้องได้รับการดูแล โดยศูนย์บริการของ Milwaukee.

คุณก็จะต้องรอให้ไม้มิดหยุดอย่างสมบูรณ์ก่อนที่จะเอาเลื่อยออกจากชิ้นงาน

แบตเตอรี่

ชุดแบตเตอรี่ใหม่มีขีดความจุโหลดเต็มหลังจากการชาร์จและปล่อย 4-5 ครั้ง ควรจะชาร์จชุดแบตเตอรี่ที่ยังไม่ได้ถูกนำมาใช้ระยะหนึ่งก่อนการใช้งาน อุณหภูมิในสวนที่เกินกว่า 50°C (122°F) ลดประสิทธิภาพการทำงานของแบตเตอรี่ หลีกเลี่ยงการถูกความร้อนหรือแสงแดดเป็นระยะเวลานาน (ความเสี่ยงจากความร้อนมากขึ้นไป)

ต้องรักษาส่วนที่เชื่อมต่อของเครื่องชาร์จและแบตเตอรี่ให้สะอาด เพื่ออายุการใช้งานที่ยาวนาน หลังจากใช้ ต้องชาร์จชุดแบตเตอรี่จนเต็ม ในเวลาที่แรงบิดสูงมาก การยึด การหน่วงและการสัดวงจรที่ก่อให้เกิดไฟกระชากอย่างแรง เครื่องมือจะสันเสที่เอื้อประมาณ 2 วินาทีแล้วจะปิดการทำงาน

การตั้งค่า การปล่อยตัวกระตุ่น

ภายใต้สถานการณ์ที่เลวร้าย อุณหภูมิภายในของแบตเตอรี่อาจจะสูงมาก หากเกิดเหตุการณ์นี้ขึ้น แบตเตอรี่จะปิดตัวลง

วางแบตเตอรี่บนที่ชาร์จเพื่อชาร์จและตั้งค่า

เพื่อให้แบตเตอรี่ใช้งานได้นานที่สุดเท่าที่จะเป็นไปได้ ให้ถอดก้อนแบตเตอรี่ออกจากเครื่องชาร์จทันทีที่ชาร์จจนเต็มแล้ว

ใช้ที่ชาร์จระบบ C 12 เท่านั้นสำหรับการชาร์จชุดแบตเตอรี่ระบบ C 12 อย่าใช้ชุดแบตเตอรี่จริงกระบบอื่น ๆ

สำหรับชุดเก็บแบตเตอรี่ที่เก็บไว้นานกว่า 30 วัน:

เก็บชุดแบตเตอรี่ในที่ที่มีอุณหภูมิต่ำกว่า 27°C และไกลจากความชื้น เก็บชุดแบตเตอรี่ที่ชาร์จแล้ว 30% - 50%

การป้องกันชุดแบตเตอรี่

ในเวลาที่แรงบิดสูงมาก การยึด การหน่วงและการสัดวงจรที่ก่อให้เกิดไฟกระชากอย่างแรง เครื่องมือจะสันเสที่เอื้อประมาณ 2 วินาทีแล้วจะปิดการทำงาน

การตั้งค่า การปล่อยตัวกระตุ่น

ภายใต้สถานการณ์ที่เลวร้าย อุณหภูมิภายในของแบตเตอรี่อาจจะสูงมาก หากเกิดเหตุการณ์นี้ขึ้น แบตเตอรี่จะปิดตัวลง

การบำรุงรักษา

ถอดชุดก่อนแบตเตอรี่ก่อนที่จะเริ่มการทำงานได้
ทำความสะอาดด้วยการเอาฝุ่นและเศษผงออกจากผลิตภัณฑ์





ใช้สบู่อ่อนและผ้าชุบน้ำหมาด ๆ ในการทำความสะอาดเท่านั้น เพราะสารทำความสะอาดและตัวทำละลายบางชนิดอาจเป็นอันตรายต่อชิ้นส่วนพลาสติกและฉนวนอื่น ๆ

ห้ามใช้ตัวทำละลายที่ไวไฟแก่ๆ บริเวณเครื่องมือ

ช่องระบายอากาศของเครื่องจะต้องโล่งตลอดเวลา

ตรวจสอบเครื่องและเปลี่ยนชิ้นส่วนที่สึกหรอหรือเสียหายเพื่อความปลอดภัย

ใช้อุปกรณ์เสริมและชิ้นส่วนอะไหล่ Milwaukee เท่านั้น หากต้องการเปลี่ยนชิ้นส่วนที่ยังไม่ได้รับการระบุ กรุณาติดต่อหนึ่งในตัวแทนบริการของ Milwaukee (ดูรายชื่อที่อยู่ศูนย์รับประกัน / บริการ)

หากมีความจำเป็น สามารถส่งมุมมองการระเบิดของเครื่องมือได้

โปรดระบุหมายเลขสัญญา รวมถึงชนิดของเครื่องมือที่พิมพ์อยู่บนฉลาก และส่งชื่อผู้ที่ได้ที่ตัวแทนบริการในท้องถิ่นของคุณหรือ

สัญลักษณ์



คำเตือน!



โปรดอ่านคำแนะนำอย่างละเอียดก่อนที่ใช้เครื่อง



สวมแว่นตาเมื่อใช้เครื่องเสมอ



ถอดชุดก่อนแบตเตอรี่ก่อนที่จะเริ่มการทำงานใดๆ



อุปกรณ์เสริม - ไม่รวมอยู่ในอุปกรณ์มาตรฐาน ที่จำหน่ายเป็นอุปกรณ์เสริม



อย่าทิ้งเครื่องมือไฟฟ้าพร้อมกับขยะจากของใช้ในครัวเรือน เครื่องมือไฟฟ้าและอุปกรณ์อิเล็กทรอนิกส์ที่สิ้นสุดอายุการใช้งานจะต้องถูกเก็บแยกต่างหากและนำกลับไปยังโรงงานรีไซเคิลเพื่อสิ่งแวดล้อม ตรวจสอบกับผู้จำหน่ายในท้องถิ่นของคุณหรือร้านค้าปลีกเพื่อขอคำแนะนำเกี่ยวกับวิธีการรีไซเคิลและจุดเก็บของรีไซเคิล





DATA TEKNIKAL	M12 CCS44
Gergaji sirkular	
Kecepatan tanpa beban	3600 min ⁻¹
Diameter mata pisau x diameter lubang	140 x 20 mm
Ketebalan bilah gergaji	1,00 mm
Kedalaman pemotongan maksimal 0°/45°/50°	44 / 33 / 27 mm
Voltan baterai	12 V
Berat mengikut Prosedur EPTA 02/2003 (2,0 Ah)	2,7 kg
Maklumat hingar/getaran	
Nilai yang diukur ditentukan mengikut EN 60 745. Biasanya, paras hingar dengan berat A bagi alat ialah:	
Paras tekanan bunyi (K = 3 dB(A))	82,0 dB (A)
Paras kuasa bunyi (K = 3 dB(A))	93,0 dB (A)
Pakai pelindung telinga!	
Jumlah nilai getaran (jumlah vektor dalam tiga paksi) ditentukan mengikut EN 60745.	
Nilai pengeluaran getaran $a_{w, w}$	1,46 m/s ²
Ketidakpastian K=	1,5 m/s ²

AMARAN!

Paras pengeluaran getaran yang diberikan dalam helaian maklumat ini telah diukur mengikut ujian yang diseragamkan yang disediakan dalam EN 60745 dan mungkin digunakan untuk membandingkan satu alat dengan yang lain. Ia mungkin digunakan untuk penilaian awal pendedahan.

Paras pengeluaran getaran yang diisytiharkan mewakili penggunaan utama alat. Walau bagaimanapun, jika alat digunakan untuk aplikasi berbeza, aksesori berbeza atau dijaga dengan tidak baik, pengeluaran getaran mungkin berbeza. Dengan ketara, ia mungkin meningkatkan paras pendedahan pada jumlah tempoh bekerja.

Anggaran paras pendedahan kepada getaran juga perlu diambil kira pada masa-masa apabila alat dimatikan atau apabila ia dijalankan tetapi, sebenarnya tidak melakukan kerja. Dengan ketara, ia mungkin mengurangkan paras pendedahan pada jumlah tempoh bekerja.

Kenal pasti ukuran keselamatan tambahan untuk melindungi operator daripada kesan getaran seperti: jaga alat dan aksesori, pastikan tangan hangat, pengaturan corak kerja.n.

AMARAN!

Baca semua amaran keselamatan dan semua arahan, termasuk yang diberikan dalam brosur yang disertakan. Gagal mematuhi amaran dan arahan boleh menyebabkan kejutan elektrik, kebakaran dan/atau kecederaan serius.

Simpan semua amaran dan arahan untuk rujukan pada masa hadapan.

ARAHAN KESELAMATAN

Prosedur pemotongan

- Bahaya: Jauhkan tangan dari area pemotongan dan mata pisau. Pegang pegangan bantu, atau rumah motor, dengan tangan kedua Anda,. Jika kedua tangan anda memegang gergaji, tidak akan dapat terpotong mata pisau.
- Jangan menjangkau bagian bawah benda kerja. Pelindung tidak dapat melindungi Anda dari mata pisau di bawah benda kerja.
- Sesuaikan kedalaman pemotongan dengan ketebalan benda kerja. Kurang dari satu gigi penuh harus kelihatan di bawah benda kerja.
- Jangan sekali-kali memegang benda kerja yang sedang dipotong di tangan anda atau kaki Anda. Amankan benda kerja dengan landasan yang stabil. Penting untuk menjaga pekerjaan dengan baik guna mengurangi kerentanan tubuh, pisau bengkok, dan kehilangan kontrol.
- Pegang alat kuasa melalui permukaan genggaman berbebat semasa menjalankan

operasi di mana aksesori pemotongan mungkin tersentuh pendawaian yang tersembunyi atau kordnya sendiri. Aksesori pemotongan terkena wayar "hidup" boleh menjadikan bahagian logam alat kuasa yang terdedah itu "hidup" dan boleh menyebabkan operator mengalami kejutan elektrik.

f) Ketika membelah selalu gunakan pemandu dengan tepi yang lurus. Ini akan meningkatkan akurasi pemotongan dan mengurangi kemungkinan pisau bengkok.

g) Selalu gunakan mata pisau dengan ukuran dan bentuk yang sesuai (diamond versus bulat) dari lubang punjung. Mata pisau yang tidak sesuai dengan perangkat pemasangan akan berjalan tidak lurus, menyebabkan hilang kendali.

h) Jangan sekali-kali menggunakan washer atau baut yang rusak atau tidak sesuai. Washer mata pisau dan baut didesain khusus untuk gergaji Anda guna mendapatkan kinerja optimal dan pengoperasian yang aman.

Penyebab bantingan dan peringatan terkait:

- bantingan adalah reaksi mata pisau gergaji yang mendadak terjepit, terikat atau meleset, yang menyebabkan gergaji tak terkendali terangkat dan keluar ke arah operator
- ketika pisau dijepit atau terikat kuat pada garitan yang menutup, pisau melambat dan reaksi motor mengembalikan unit ke operator dengan cepat

– Jika pisau menjadi bengkok atau meleset dalam pemotongan, gigi di tepi belakang mata pisau dapat menembus sampai ke atas permukaan kayu yang menyebabkan pisau keluar dari garitan dan melompat ke arah operator

Bantingan adalah akibat dari salah pemakaian dan/atau prosedur pengoperasian yang tidak tepat dan dapat dihindari dengan mengambil tindakan pencegahan yang tepat





seperti yang diberikan di bawah ini:

- a) Pegang erat pegangan gergaji dengan kedua tangan dan posisikan lengan Anda untuk menahan kekuatan bantingan. Posisikan tubuh Anda ke salah satu sisi mata pisau, tapi tidak sejalan dengan mata pisau. Bantingan dapat menyebabkan gergaji melompat mundur, tetapi kekuatan bantingan dapat dikontrol oleh operator, jika diambil tindakan pencegahan yang tepat.
- b) Apabila pisau bengkok, atau apabila pemotongan terganggu karena berbagai alasan, lepaskan pemicu dan tahan gergaji agar tidak bergerak di bahan sampai pisau berhenti total. Jangan sekali-kali berusaha melepas gergaji atau menarik gergaji ketika pisau sedang bergerak atau bantingan akan terjadi. Selidiki dan lakukan tindakan perbaikan untuk menghilangkan penyebab pisau bengkok.
- c) Ketika menghidupkan ulang gergaji dalam benda kerja, luruskan mata pisau gergaji pada garitan dan periksa bahwa gigi tidak tersangkut di bahan. Jika pisau gergaji bengkok, gergaji dapat keluar jalur dari benda kerja atau terjadi bantingan ketika gergaji dihidupkan kembali.
- d) Topang panel besar untuk mengurangi risiko mata pisau terjepit atau bantingan. Panel besar cenderung ambles karena beratnya sendiri. Penopang harus diletakkan di bawah panel pada dua sisi, dekat garis potong dan dekat tepi panel.
- e) Jangan gunakan pisau tumpul atau rusak. Pisau yang tumpul atau yang tidak dipasang dengan benar menghasilkan garitan sempit yang menyebabkan gesekan berlebihan, mata pisau terikat dan bantingan.
- f) Kedalaman pisau dan tuas penguncian penyetelan siku harus ketat dan aman sebelum pemotongan dimulai. Jika penyetelan mata pisau bergeser pada saat memotong, hal ini akan dapat menyebabkan mata pisau bengkok atau terjadi bantingan.
- g) Berhati-hatilah saat menggergaji dinding atau daerah tidak jelas lainnya. Pisau yang menonjol dapat memotong benda-benda yang dapat menyebabkan bantingan.

Fungsi pelindung bagian bawah

- a) Periksa pelindung bagian bawah apakah tertutup dengan baik sebelum digunakan. Jangan mengoperasikan gergaji jika pelindung bagian bawah tidak dapat bergerak bebas dan menutup dengan cepat. Jangan menjepit atau mengikat pelindung bagian bawah dalam posisi terbuka. Jika gergaji tanpa sengaja terjatuh, pelindung bagian bawah bisa bengkok. Naikkan pelindung bagian bawah dengan pegangan penarik dan pastikan pegangan dapat bergerak bebas dan tidak menyentuh mata pisau atau bagian lain, dalam segala sudut dan kedalaman pemotongan.
- b) Periksa kinerja pegas pelindung bagian bawah. Jika tidak bekerja dengan baik, pelindung dan pegas harus diperbaiki sebelum digunakan. Pelindung bagian bawah mungkin bekerja lambat karena komponen yang rusak, endapan lengket, dan kumpulan kotoran.
- c) Pelindung bagian bawah bisa ditarik manual hanya untuk potongan khusus seperti "plunge cuts" (pemotongan melintang) dan "compound cuts" (pemotongan miring berganda). Naikkan pelindung bagian bawah dengan menarik pegangan dan segera setelah mata pisau menembus bahan, pelindung bagian bawah harus dilepaskan. Untuk penggergajian lain, pelindung bagian bawah harus beroperasi secara otomatis.
- d) Selalu perhatikan bahwa pelindung bagian bawah menutupi mata pisau sebelum meletakkan gergaji di bangku atau lantai. Mata pisau yang meluncur dan tak terlindungi menyebabkan gergaji berjalan mundur, memotong apa saja yang ada di jalurnya. Hati-hati dengan waktu yang diperlukan mata pisau untuk berhenti setelah sakelar dilepaskan.

Petunjuk keselamatan tambahan

Pakai pelindung telinga. Pendedahan kepada hingar boleh menyebabkan hilang pendengaran.

Kenakan perangkat pelindung diri. Tergantung aplikasinya, gunakan pelindung wajah, kacamat keselamatan kerja, atau pelindung mata. Jika sesuai, kenakan masker debu, pelindung pendengaran, sarung tangan, dan apron bengkel yang mampu menghalau potongan atau pecahan abrasif. Pelindung mata harus mampu menghalau serpihan yang beterbangan akibat berbagai operasi. Masker debu atau respirator harus mampu menghalau partikel akibat operasi Anda. Terlalu lama terpapar suara bising tingkat tinggi dapat menyebabkan hilangnya pendengaran.

Debu yang dihasilkan ketika menggunakan perkakas ini dapat berbahaya bagi kesehatan. Jangan hirup debu. Gunakan sistem penyedot debu dan masker debu yang tepat. Singkirkan debu yang terkumpul dengan vacuum cleaner.

Jangan gunakan mata pisau gergaji yang tidak sesuai dengan data kunci yang diberikan dalam petunjuk penggunaan ini.

Jangan memperbaiki sakelar on/off dalam posisi "on" ketika menggunakan gergaji dalam genggaman.

Jangan gunakan keping ampelas pada mesin ini! Sesuaikan kecepatan pemakanan untuk menghindari ujung pisau terlalu panas dan menghindari material plastik meleleh selama pemotongan.

Keluarkan pek baterai sebelum memulakan sebarang kerja pada mesin.

SYARAT PENGGUNAAN YANG DIKHUSUSKAN

Gergaji elektronik putar ini dapat memotong memanjang dan siku dengan akurat dalam kayu.

Jangan gunakan produk ini dengan cara selain daripada yang dinyatakan untuk kegunaan biasa.

REM ELEKTRIK

Rem elektrik bekerja ketika pemicu dilepaskan, menyebabkan pisau berhenti dan memungkinkan Anda melanjutkan pekerjaan. Umumnya, pisau gergaji berhenti dalam dua detik. Tetapi, mungkin ada jeda antara Anda melepaskan pemicu dan ketika rem bekerja. Terkadang rem dapat benar-benar meleset. Jika rem sering meleset, gergaji perlu mendapat perbaikan di fasilitas servis resmi Milwaukee.

BATERI

Pek baterai baru mencapai kapasiti muatan penuh selepas 4-5 pengecasan dan nyahcas. Pek bateri yang belum digunakan dalam satu jangka masa perlu dicas semula sebelum digunakan.

Suhu melebihi 50°C (122°F) mengurangkan prestasi pek bateri. Elakkan pendedahan berlebihan kepada haba atau cahaya matahari (risiko pemanasan berlebihan).

Sentuhan pengecas dan pek bateri perlu dipisahkan bersih.

Untuk jangka hayat optimum, selepas penggunaan, pek bateri perlu dicas sepenuhnya.

Dalam tok yang amat tinggi, pengikatan, pegun dan situasi litar pintas yang menyebabkan pengeluaran litar yang tinggi, alat akan bergetar selama kira-kira 2 saat dan kemudian, alat DIMATIKAN.

Untuk menetapkan semula, lepaskan pencetus.

Dalam keadaan melampau, suhu dalaman bateri boleh menjadi tinggi. Jika ia berlaku, bateri akan dimatikan.

Letakkan bateri pada pengecas untuk mengecap dan menetapkannya semula.

Untuk mendapatkan kemungkinan hayat bateri paling lama, keluarkan pek bateri daripada pengecas sebaik sahaja ia dicas sepenuhnya.

Gunakan hanay pengecas Sistem C 12 untuk mengecap pek bateri Sistem C 12. Jangan gunakan pek bateri dari sistem lain.

Untuk penyimpanan pek bateri lebih lama daripada 30 hari:

Simpan pek bateri di mana suhu berada di bawah 27°C dan jauh daripada kelembapan.

Simpan pek bateri dalam keadaan dicas 30% - 50%

Setiap enam bulan penyimpanan, cas pek seperti biasa.

PERLINDUNGAN PEK BATERI

Dalam torsi yang tinggi, situasi pengikatan, penundaan dan arus pendek dapat menyebabkan arus tinggi, perkakas ini akan berhenti sekitar 2 detik dan kemudian



perkakas akan MATI. Untuk menyetel ulang, lepaskan pemacu.

Dalam kondisi ekstrem, suhu dalam baterai dapat meningkat. Jika ini terjadi, baterai akan mati. Letakkan baterai pada pengisi daya untuk diisi dan disetel ulang.

PENYELENGGARAAN

Pastikan untuk memutuskan perkakas dari sumber daya sebelum memasang atau melepas mata pisau gergaji.

Bersihkan perkakas dan sistem pelindung dengan kain kering. Agen pembersih tertentu dan pelarut adalah berbahaya bagi plastik dan bagian terisolasi.

Jagalah gagang tetap bersih, kering dan bebas dari tumpahan minyak atau pelumas.

Periksa fungsi pelindung.

Perawatan dan pembersihan rutin memberikan usia pemakaian yang panjang dan penanganan yang aman.

Slot ventilasi mesin harus tetap bersih setiap saat.

Gunakan hanya aksesoris Milwaukee dan bahagian ganti. Sekiranya, komponen perlu digantikan yang belum diterangkan, sila hubungi salah satu ejen perkhidmatan Milwaukee (lihat senarai alamat jaminan/perkhidmatan kami).

Jika perlu, paparan besar alat boleh dipesan.

Sila nyatakan No. Artikel serta jenis mesin yang dicetak pada label dan pesan lukisan pada ejen perkhidmatan tempatan anda.

SIMBOL



PERHATIAN! PERINGATAN! BAHAYA!



Sila baca arahan dengan teliti sebelum memulakan mesin.



Sentiasa pakai goggles semasa menggunakan mesin.



Keluarkan pek bateri sebelum memulakan sebarang kerja pada mesin.



Aksesori - Tidak disertakan dalam peralatan standard, tersedia sebagai aksesori.



Jangan membuang perkakas listrik bersama dengan bahan limbah rumah tangga. Perkakas listrik dan peralatan elektronik yang telah mencapai akhir masa pakainya harus dikumpulkan secara terpisah dan dikembalikan ke fasilitas daur ulang yang selaras dengan lingkungan. Tanyakan kepada pihak berwenang atau peritel setempat mengenai daur ulang dan titik pengumpulan.





