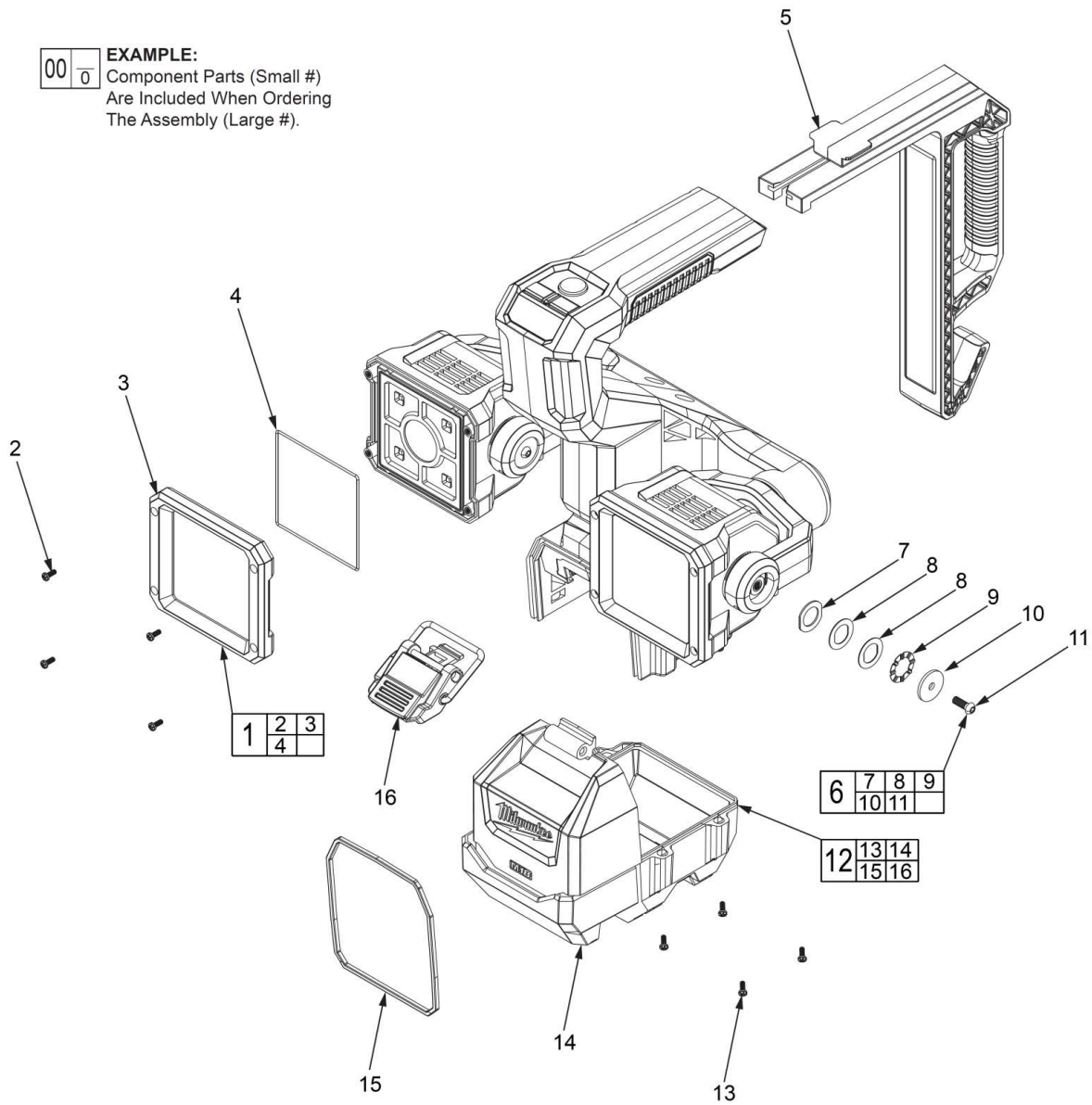



00	0
----	---

EXAMPLE:
Component Parts (Small #)
Are Included When Ordering
The Assembly (Large #).



	<h1>M18 UBL</h1> <p>SERVICE PARTS LIST</p>	Bulletin Date: <h2>Jul-17</h2>
	<p>TTI Model Number: 016 066 006</p> <p>M18™ UTILITY LIGHT</p>	<p>Starting Serial Number:</p> <p>VERSION A - F2017</p>

ITEM	PART NUMBER	PART DISCRIPTION	QTY (PCS)
1	016066001001	LENS KIT	1
2	-	M3 X 8 SCREW	4
3	-	LENS WITH BRACKET	1
4	-	LENS GASKET	1
5	016066001002	HANDLE KIT	1
6	016066001003	WASHER KIT	1
7	-	WASHER A	1
8	-	WASHER B	2
9	-	WASHER C	1
10	-	WASHER D	1
11	-	M5 X 12 SCREW	4
12	016066001004	BATTERY DOOR KIT	1
13	-	M5 X 16 SCREW	1
14	-	BATTERY DOOR	1
15	016066001005	BATTERY DOOR GASKET	1
16	016066001006	BUCKLE KIT	1
17	016066001007	LIGHT BAG (NOT SHOWN)	1
18	01606600601K	RATING LABEL (NOT SHOWN)	1