

Milwaukee™

Nothing but **HEAVY DUTY™**



M18 HCC45

User Manual

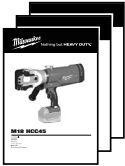
操作指南

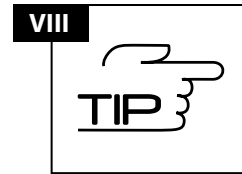
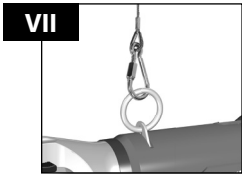
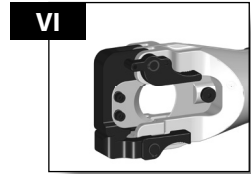
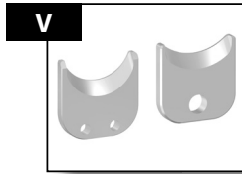
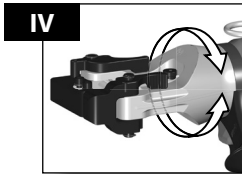
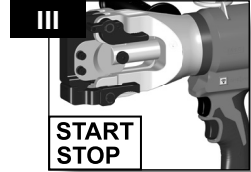
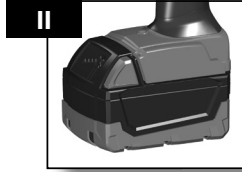
操作指南

사용시 주의사항

คู่มือการใช้

Buku Petunjuk Pengguna





Accessory

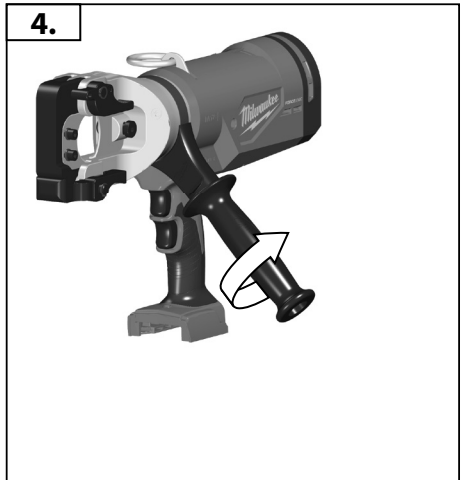
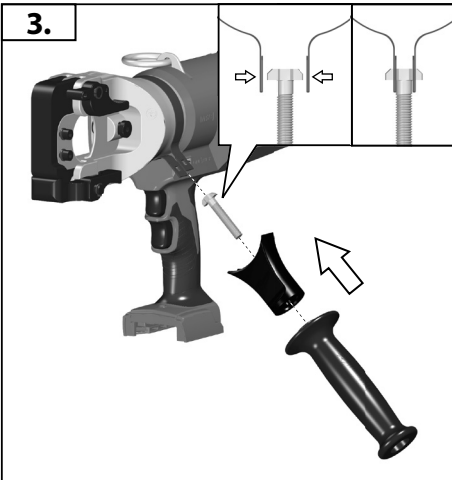
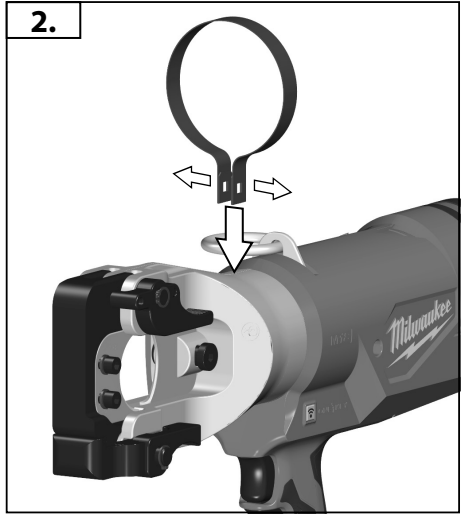
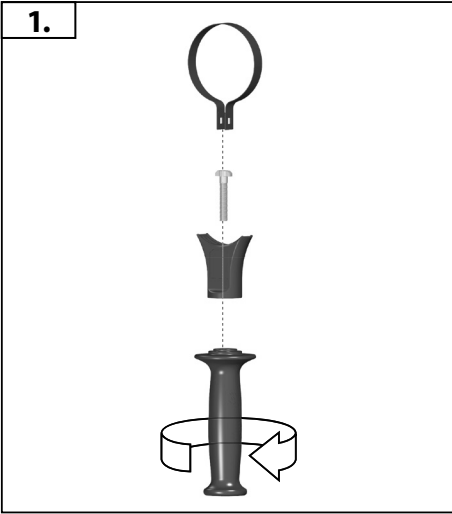
配件

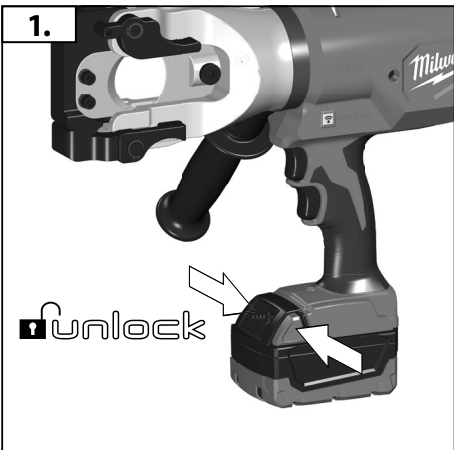
配件

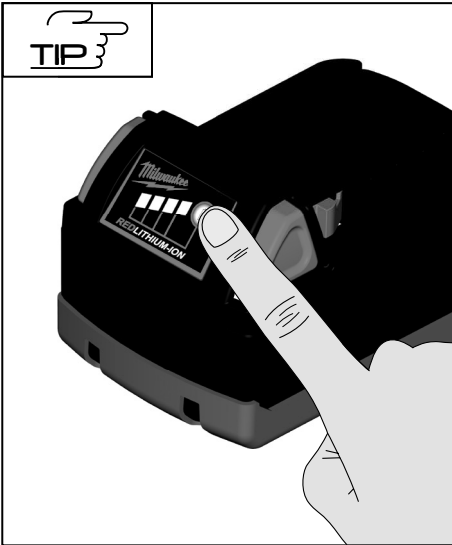
액세서리

อุปกรณ์เสริม

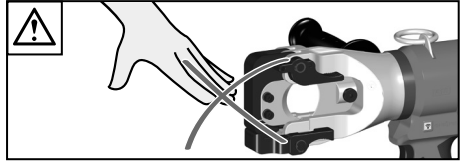
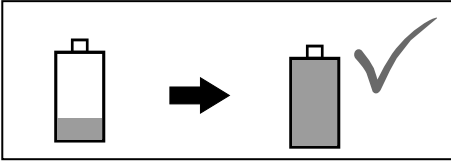
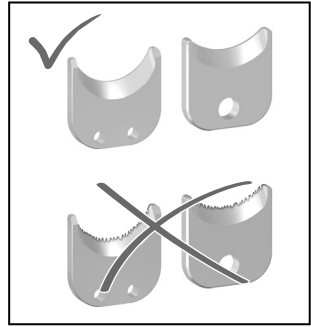
Aksesori



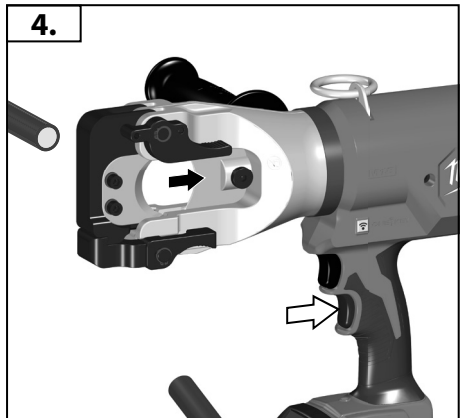
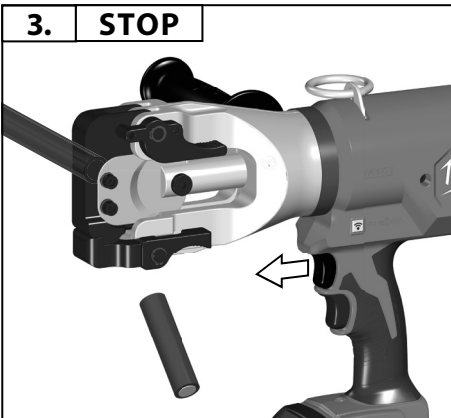
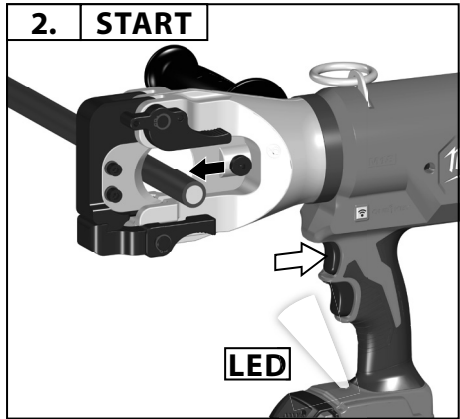
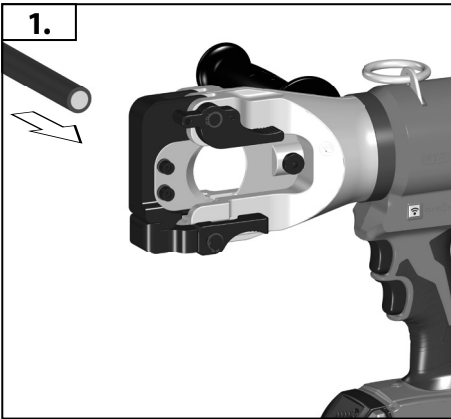




78-100 %		
55-77 %		
33-54 %		
10-32 %		
<10 %		

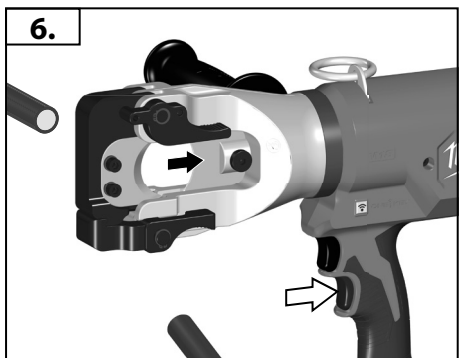
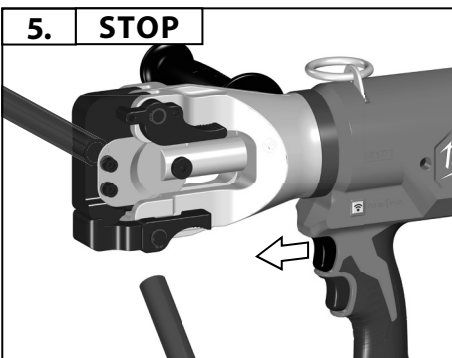
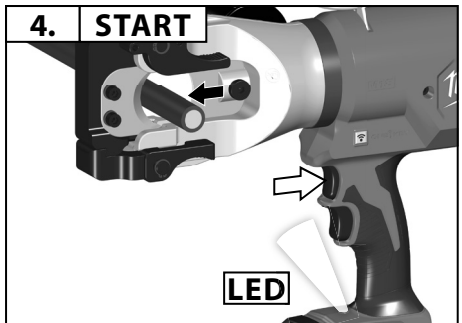
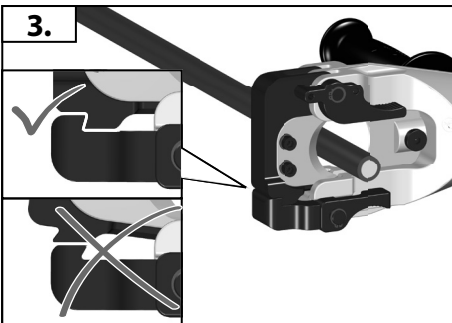
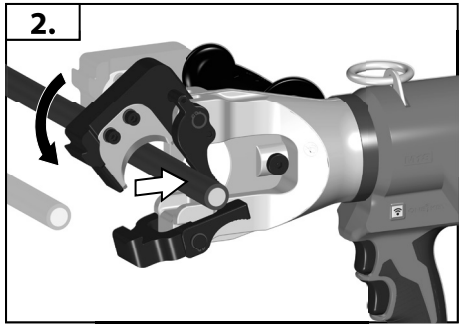
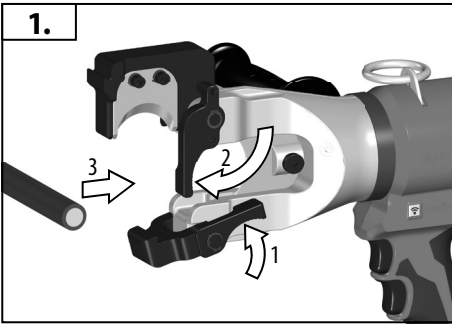


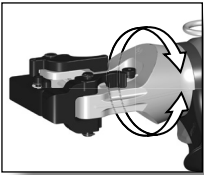
**START
STOP**



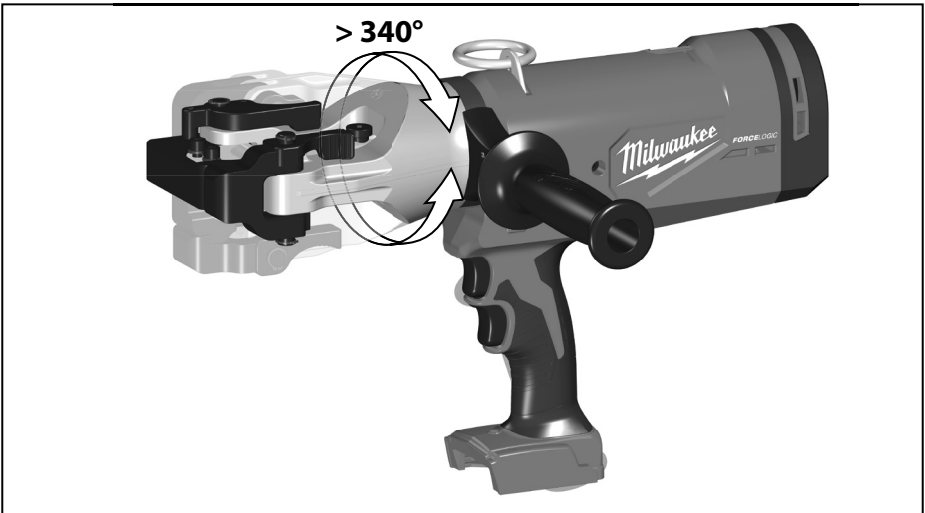


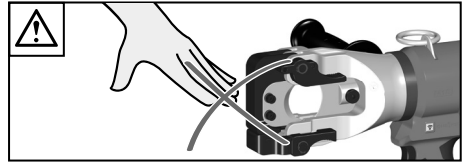
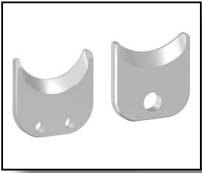
START
STOP



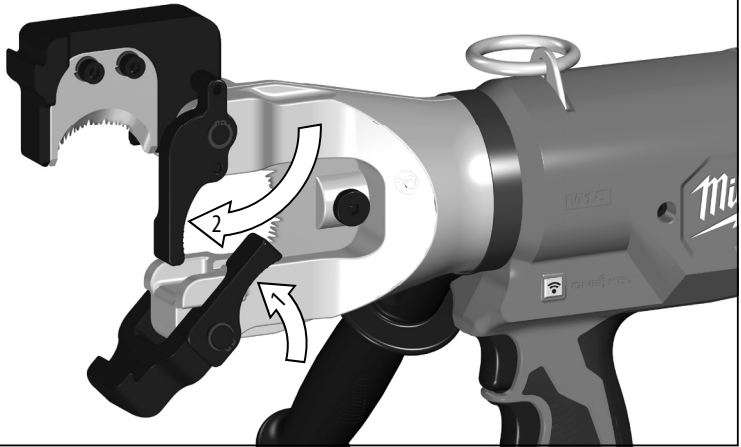


IV

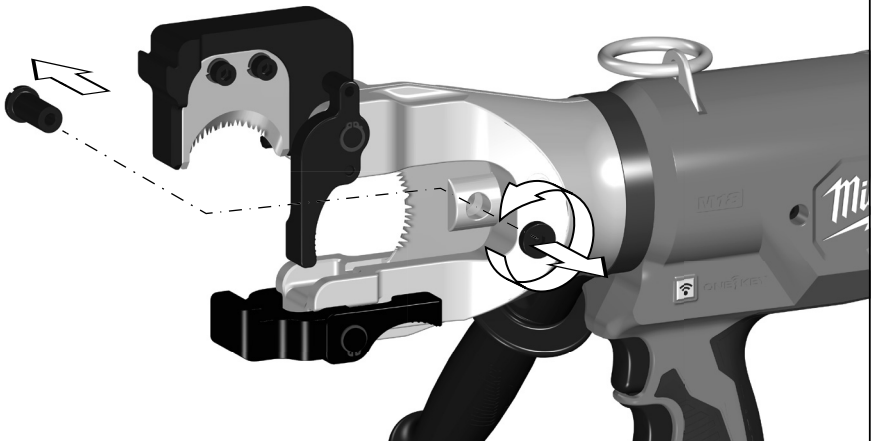


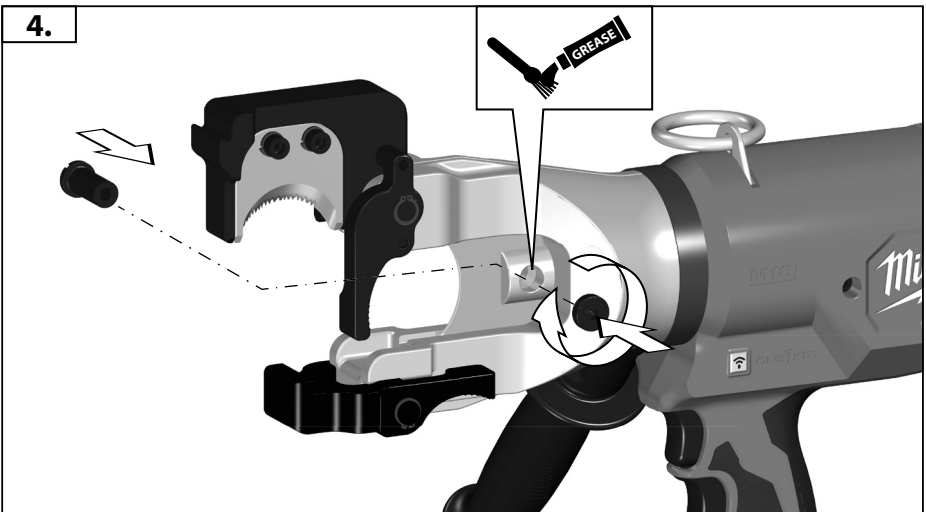
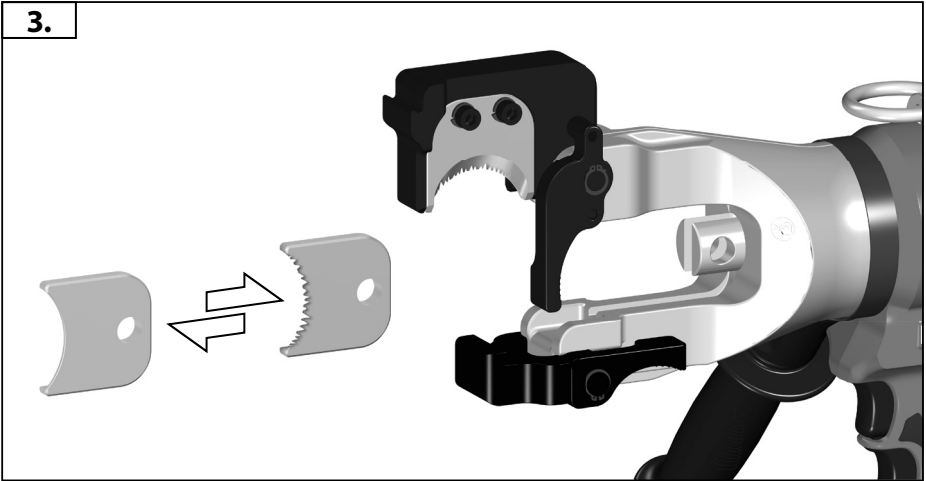
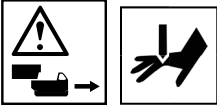
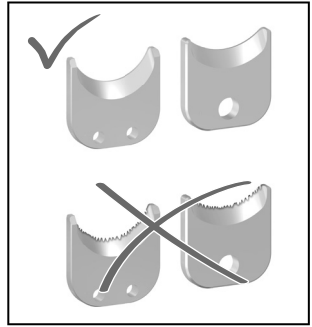
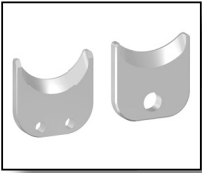


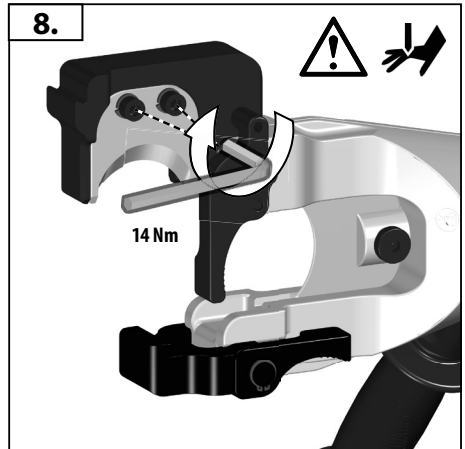
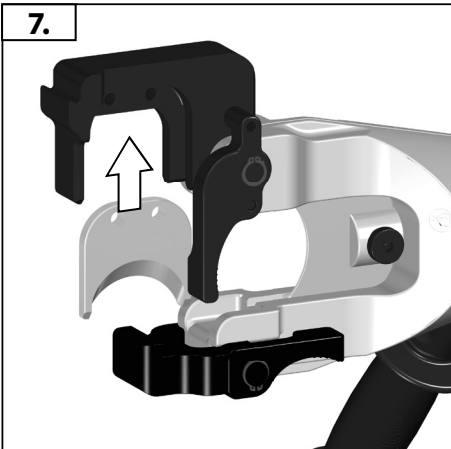
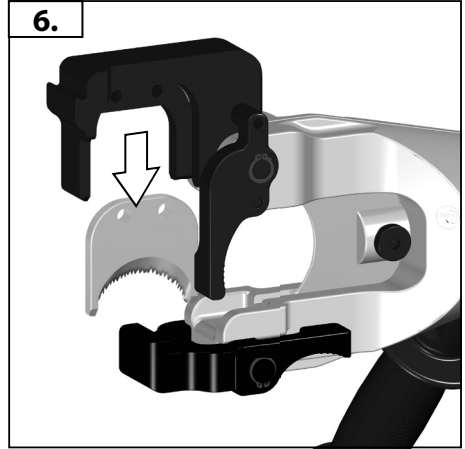
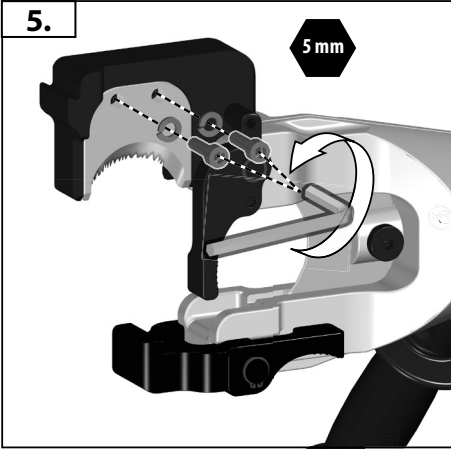
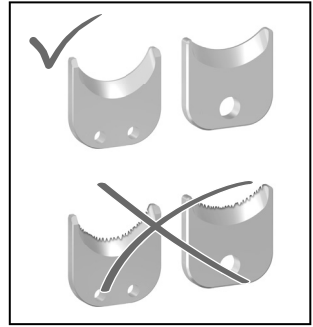
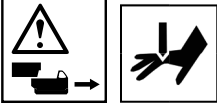
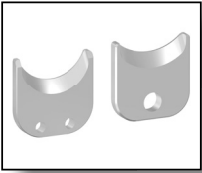
1.

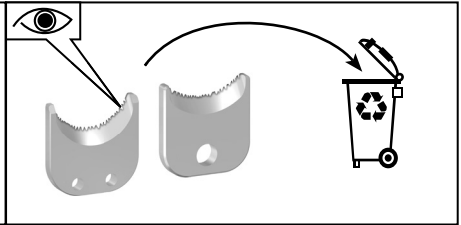
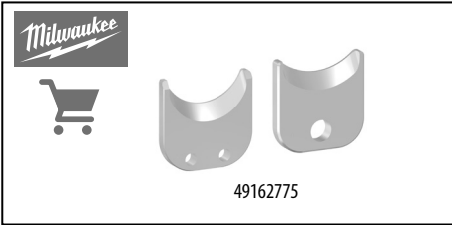
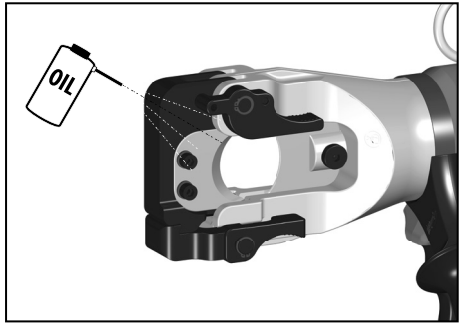
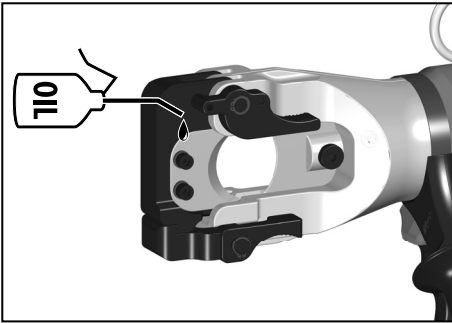
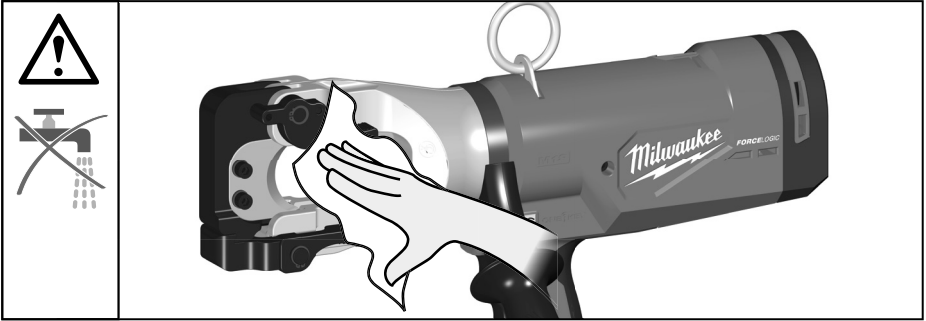
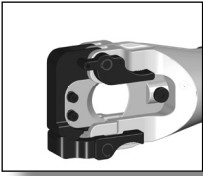


2.





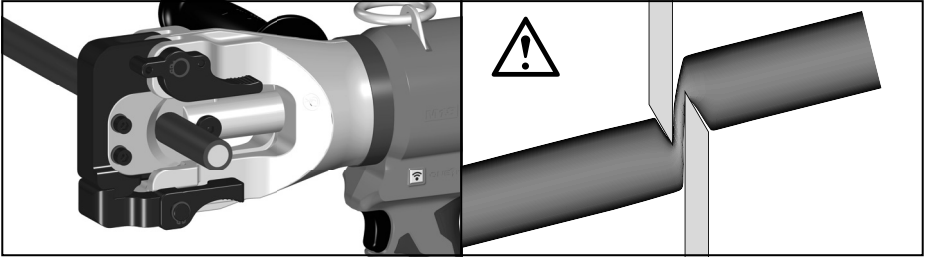
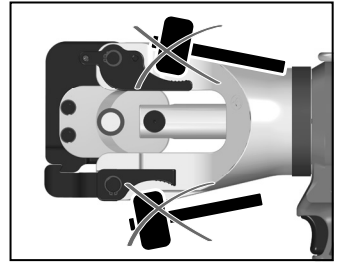
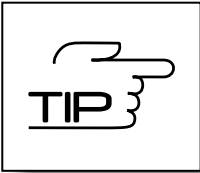




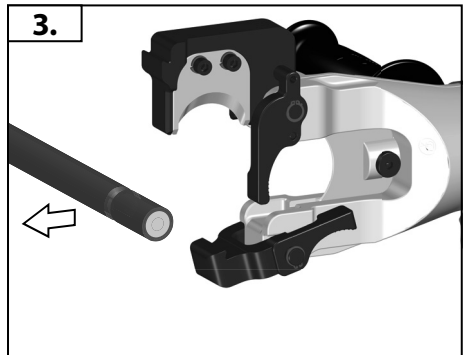
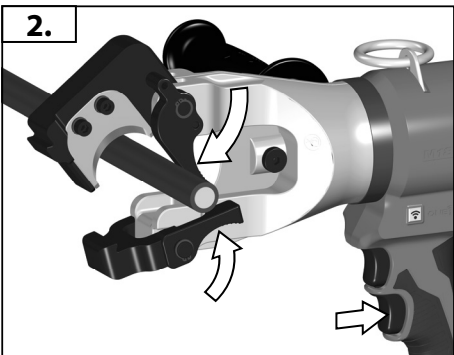


Accessory
配件
配件
액세서리
อุปกรณ์เสริม
Aksesori





VIII



Battery voltage	18 V
Nominal force	77.8 kN
Cutting range depends on cable type	max. Ø 44 mm
Insulated copper / Aluminum cable, lightly reinforced	
Weight according EPTA-Procedure 01/2003 (Li-ion 2.0 Ah)	6.0 kg

Noise information

Measured values determined according to EN 62841. Typically, the A-weighted noise levels of the tool are:

Sound pressure level (Uncertainty K=3dB(A))	76.9 dB (A)
Sound power level (Uncertainty K=3dB(A))	87.9 dB (A)

Wear ear protectors!**Vibration information**

Vibration total values (triaxial vector sum) determined according to EN 62841

Vibration emission value a_h	1.2 m/s ²
Uncertainty K=	1.5 m/s ²

WARNING!

The vibration emission level given in this information sheet has been measured in accordance with a standardised test given in EN 62841 and may be used to compare one tool with another. It may be used for a preliminary assessment of exposure.

The declared vibration emission level represents the main applications of the tool. However if the tool is used for different applications, with different accessories or poorly maintained, the vibration emission may differ. This may significantly increase the exposure level over the total working period.

An estimation of the level of exposure to vibration should also take into account the times when the tool is switched off or when it is running but not actually doing the job. This may significantly reduce the exposure level over the total working period.

Identify additional safety measures to protect the operator from the effects of vibration such as: maintain the tool and the accessories, keep the hands warm, organisation of work patterns.

⚠ WARNING! Read all safety warnings, instructions, illustrations and specifications provided with this device. Failure to follow the warnings and instructions may result in electric shock, fire and/or serious injury.

Save all warnings and instructions for future reference.

⚠ CABLE CUTTER SAFETY WARNINGS

To reduce the risk of explosions, electric shock and damage to property and equipment, never cut live electrical cables. Tool is not insulated.

Keep hands and loose items of clothing away from cutting tools and other moving parts. There is a risk of serious injury, including severing of limbs.

The use of protective clothing is recommended, such as dust mask, protective gloves, sturdy non-slip footwear, helmet and ear defenders.

Use protective equipment. Always wear safety goggles when working with the cable cutter.

Prevent accidental starting of the cable cutter. Before connecting to a removable battery, ensure that the trigger is secured with the switch lock.

Never hold the cable cutter by the cutting jaws.

Before using, always check the cutting jaws for cracks and other signs of wear.

Only use the cable cutter, removable battery and charger if they are in perfect technical condition.

Have damage repair immediately by an authorised workshop.

Remove the battery pack before starting any work on the appliance.

The cable cutter may only be used with a cutting tool inserted.

Remove any setting tools and wrenches before making the cut.

To avoid injury and damage, never immerse the tool, removable battery or charger in liquid or allow liquid to penetrate them.

Hold the cable cutter by both handles.

In the event of faults during the cutting process, release the trigger immediately and press the hydraulic reset button.

The valve will open and the piston will return to its initial position.

ADDITIONAL BATTERY SAFETY WARNINGS

⚠ WARNING! To reduce the risk of fire, personal injury, and product damage due to a short circuit, never immerse your product, battery pack or charger in fluid or allow a fluid to flow inside them. Corrosive or conductive fluids, such as seawater, certain industrial

chemicals, and bleach or bleach-containing products, etc., can cause a short circuit.

RESIDUAL RISK

Before the cutting process begins, access must be sealed off in accordance with local regulations.

Only ever cut cables that have been disconnected from the power supply.

Cable and cord may not be exposed to any mechanical forces.

Failure to comply with this instruction can lead to serious injury, death, fire and other damage to property as a result of electric shock, explosion and/or electric arcs.

Wear goggles.

SPECIFIED CONDITIONS OF USE

Depending on the type of cable, the cable cutter is suitable for cutting insulated copper or aluminium cables, ACSR cables (aluminium/ steel cables) and steel cables that have been disconnected from the power supply.

Only personnel trained in electrotechnical applications may carry out cutting and splitting of cables and cords with the aid of this cable cutter.

The operator of this cable cutter must be instructed in the specific dangers associated with using this cable cutter and in the essential safety measures before working with it for the first time and at least once a year thereafter.

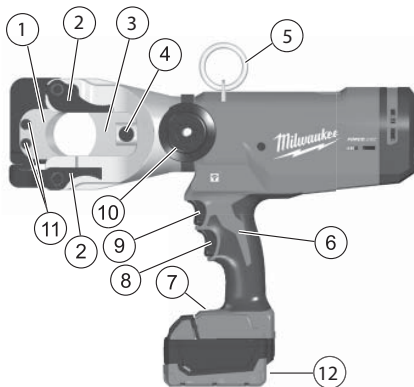
The operating company must:

- make the operating manual available to the operator and
- ensure that the operator has read and understood it.

⚠ WARNING! Read all safety warnings, instructions, illustrations and specifications provided with this device. Failure to follow the warnings and instructions may result in electric shock, fire and/or serious injury.

Save all warnings and instructions for future reference.

USE



Device description

1. Front blade
2. Jaw release levers
3. Rear blade
4. Blade retaining pin
5. Hanger
6. Handle
7. LED
8. Release trigger
9. Trigger
10. Side handle
11. 5 mm hex socket screws
12. Battery

Set-up of the working area

Before work begins, the cables or cords must be disconnected and it must be ensured that they remain isolated from the power supply for the duration of the work.

If it cannot be ensured beyond doubt that the cable or insulated line has been disconnected, no work may be carried out.

It is crucial that local safety provisions and the regulations are observed.

Cable and cord may not be exposed to any mechanical forces and must be secured from any uncontrolled movements following the cut.

Do not expose tools to rain. Do not use tools in damp or wet locations.

Preparation of cable cutter and battery

Before every use:

- Inspect cable cutter for external defects.
- Check the cutting tool for cracks and other signs of wear.

Only use in perfect condition.

Before the cutting process begins, the battery capacity must be checked: minimum 33% (see illustrated description).

It may require charging before work commences.

Preparation for the cutting process

Support and fix the cable or rope to be cut to minimize the risk of uncontrolled movement.

Overhead cables and cords, in particular, can move out of control and cause injury and/or damage.

The cutting head must be positioned at an angle of 90° to the cable or cord so that the cable can lie in the opened cutting jaws without tension and undesirable shearing forces can be avoided.

⚠ WARNING! To reduce the risk of explosions, electric shock and damage to property and equipment, never cut live electrical cables.

Tool is not insulated. Contact with a live circuit could result in severe injury or death. Turn off power before making a cut.

Never cut gas or water lines. Keep hands away from all cutting edges and moving parts. Laceration and amputation can occur.

Always remove battery pack before changing or removing accessories. Only use accessories

specifically recommended for this tool. Others may be hazardous.

To reduce the risk of injury, wear safety goggles or glasses with side shields.

⚠ WARNING! To reduce the risk of injury, only cut recommended materials for the blades. (see “Specifications”). Do not attempt to cut other materials.

Cutting

- Before cutting, ensure blades are properly installed.
- 1. Guide the cable at right angles to the cutting of the cable cutter. Do not attempt to make angled cuts as it will damage the workpiece and blades.
- 2. Grasp handle(s) firmly. Pull and hold the trigger through the operation. An LED will light when the trigger is pulled. Once cutting has been carried out, or the tool is switched off, let the release button go again and activate the reset switch, so that the cutting bars open.

Note: Workpiece may move slightly during the cut.

ACTION IN THE EVENT OF FAULTS

- The cable can be broached and become live, always inform the safety officer, stop the cutting process, and initiate suitable protective measures.
- Always ensure that the device is and will stay disconnected from the power supply before approaching and touching the device.
- Press and hold the reset button until the cutter opens completely.
- Check the battery capacity.
- Check the material and material thickness against the technical data.
- If it is suspected that a live cable has been cut, the cable-cutter has to be inspected in an authorized specialist workshop.

Jammed blades

Dirt and debris can cause the blades to become jammed together after a cut.

- Press and hold the release trigger to ensure the tool has reset.
- Remove the battery pack.
- Follow the picture description to open the cutting bars.
- Clean any dirt and debris from the blades before starting another cut.

Cutting tips

- Do not attempt to make angled cuts as it will damage the workpiece and blades.
- Cut clean material to extend the blade life. Wipe dirt and debris from material and blades before beginning the cut.

MAINTENANCE

Remove the battery pack before starting any work on the appliance.

Never open the cable cutter, removable battery or charger.

Check the cable cutter for any problems such as noise or jamming of moving parts that could be affecting the tool.

Check the cutting tools for cracks and other signs of wear.

On completion of the work, clean and grease the cutting tools.

Check that the cutting edges are sharp and replace worn cutting jaws.

Replace the blades when they become chipped or damaged. Always replace blades as a set. Use only MILWAUKEE blades.

Check that the cutting tools can move freely.

To avoid injury and damage, never immerse the tool, removable battery or charger in liquid or allow liquid to penetrate them.

The ventilation slots of the machine must be kept clear at all times.

The device contains hydraulic fluid. Hydraulic fluids pose a hazard to groundwater. Uncontrolled draining or improper disposal is punishable by law.

The device should be serviced every six to twelve months, depending on usage.

Service and repair work may only be carried out by authorised specialist workshops.

Use only MILWAUKEE accessories and MILWAUKEE spare parts. Should components need to be replaced which have not been described, please contact one of our MILWAUKEE service agents (see our list of guarantee/ service addresses).

If needed, an exploded view of the tool can be ordered. Please state the Article No. as well as the machine type printed on the label and order the drawing at your local service agents.

BATTERIES

Temperatures in excess of 50°C (122°F) reduce the performance of the battery pack. Avoid extended exposure to heat or sunshine (risk of overheating).

The contacts of chargers and battery packs must be kept clean.

For an optimum life-time, the battery packs have to be fully charged, after use.

Battery packs which have not been used for some time should be recharged before use.

To obtain the longest possible battery life remove the battery pack from the charger once it is fully charged.

For battery pack storage longer than 30 days:

- Store the battery pack where the temperature is below 27°C and away from moisture
- Store the battery packs in a 30% - 50% charged condition

Every six months of storage, charge the pack as normal.

Do not dispose of used battery packs in the household refuse or by burning them. MILWAUKEE Distributors offer to retrieve old batteries to protect our environment. Do not store the battery pack together with metal objects (short circuit risk).

Use only System M18 chargers for charging System M18 battery packs. Do not use battery packs from other systems.

TRANSPORTING LITHIUM BATTERIES

Lithium-ion batteries are subject to the Dangerous Goods Legislation requirements.

Transportation of those batteries has to be done in accordance with local, national and international provisions and regulations.

- The user can transport the batteries by road without further requirements.
- Commercial transport of Lithium-Ion batteries by third parties is subject to Dangerous Goods regulations. Transport preparation and transport are exclusively to be carried out by appropriately trained persons and the process has to be accompanied by corresponding experts.

When transporting batteries:

- Ensure that battery contact terminals are protected and insulated to prevent short circuit.
- Ensure that battery pack is secured against movement within packaging.
- Do not transport batteries that are cracked or leak. Check with forwarding company for further advice.

SYMBOLS



Please read the instructions carefully before starting the machine.



WARNING!
Risk of injury from ejected fragments



Always wear goggles when using the machine.



Danger of electric shock.



CAUTION! WARNING! DANGER!



Remove the battery pack before starting any work on the appliance.



Keep hands away from cutting tools and other moving parts. Fingers may get caught in the cutting mechanism and be amputated or injured.



Accessory - Not included in standard equipment, available as an accessory.



Do not dispose of electric tools together with household waste material. Electric tools and electronic equipment that have reached the end of their life must be collected separately and returned to an environmentally compatible recycling facility. Check with your local authority or retailer for recycling advice and collection point.

電池電壓	18 V
公稱力	77.8 kN
切割範圍（取決於電纜類型） 絕緣的銅/鋁電纜，輕度強化	max. Ø 44 mm
根據EPTA-Procedure 01/2003的重量（鋰電池 2.0 Ah）	6.0 kg
噪音資訊 依 EN 62841 所測的測量值。一般來說，本工具的A加權噪音標準為：	
聲壓量測（不確定性 K=3dB(A)）	76.9 dB (A)
聲壓率級（不確定性 K=3dB(A)）	87.9 dB (A)
佩戴耳罩。	
震動資訊 依EN 62841所測的震動總值（三軸向量總和）	
震動釋放值 a_h	1.2 m/s ²
不確定性 K=	1.5 m/s ²

警告！

本說明書所提供的震動等級是依EN62841規定的標準化測試所測得，且可能用於與另一個工具進行比較。該等級可用來初步評估風險。

宣告的震動釋放等級代表的是本工具的主要應用。然而，如果用於不同的應用、使用不同的配件或保養不當，震動釋放也可能不同。這可能會在總工作時間上顯著增加風險等級。

評估震動暴露的等級還應考慮本工具關機時的時間，或當工具運轉但卻未實際使用的時間。這可能會明顯降低總工作期間的風險等級。

請確認額外的安全措施，以保護操作員不受震動的影響，例如：保養本工具與配件、保持手部溫暖和井然有序的工作方式。

▲警告！ 閱讀本產品隨附的所有安全警告、說明、插圖和規格。若不按照警告和說明操作，則可能會導致電擊、火災和/或嚴重傷害。

將所有警告和說明保存好，方便以後查閱。

▲電纜剪操作安全警告

為了減少爆炸、觸電及財產和設備損壞的風險，切勿切斷帶電的電線。工具是不絕緣的。

雙手及衣服鬆散的部份須遠離切割工具及轉動的部份。有嚴重傷害的危險，包括切斷四肢。

建議穿戴防護裝備，例如防塵罩、防護手套、堅固防滑的鞋具、安全帽和護耳器。

使用防護裝備。使用電纜剪時，請務必佩戴安全護目鏡。

防止意外啟動電纜剪。在連接到可拆卸電池之前，請確保扳機通過開關鎖固定。

不要以切割鉗握住電纜剪。

使用前，務必檢查切割鉗口是否有裂紋和其他磨損跡象。

只有完美的技術條件下，才能夠使用電纜剪、電池及充電器。

損壞的部份需要立刻交給認可的工場維修。

在機器上做任何調整前，請先取出電池。

電纜剪只能配合切割工具使用。

在切割之前，請移除任何設置上的工具和扳手。

為避免受傷和損壞，切勿將工具、可拆卸電池或充電器浸入液體中或使液體滲透。

以雙手握住電纜剪。

切割過程中發生故障時，請立即釋放扳機，並按下液壓重置按鈕。

閘將打開，使活塞返回到其初始位置。

附加電池安全警告

▲警告！ 為了減少因短路而導致火災、人身傷害和產品損壞的風險，請勿將工具、電池組或充電器浸沒在液體中或使液體流入其中。腐蝕性或導電性液體（如海水、某些工業化學品、以及漂白劑或含漂白劑的產品等）都會導致短路。

殘留風險

在切割過程開始之前，必須按照當地法規進行密封。

只能切割沒有接駁電源的電纜。

電纜和電線可能不可承受任何機械力。

未能遵守本說明書，可能導致觸電、爆炸和/或電弧，並因此造成嚴重的人身傷害、死亡、火災及其他財產損失。

佩戴護目鏡。

特定使用條件

按照不同電纜的類型，本電纜剪適用於切割沒有接駁電源且絕緣的銅和鋁電纜，以及輕度強化的電纜（鋁/鋼電纜）及鋼電纜。

只能由經過電工應用培訓的人員按照當地法例，以電纜剪進行切割及分割電纜和電線的工作。

首次使用前及往後至少每年一次，此電纜剪的操作者

必須接受關於使用本產品具體的危險性以及必要的安全措施的訓練。

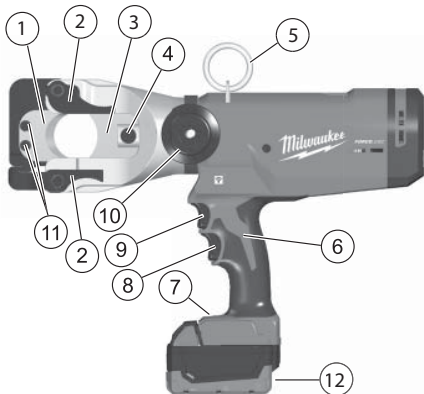
營運公司必須：

- 將操作手冊提供給操作員和
- 確保操作員已閱讀並理解。

▲警告！

閱讀本產品隨附的所有安全警告、說明、插圖和規格。若不按照警告和說明操作，則可能會導致觸電、火災和/或嚴重傷害。將所有警告和說明保存好，方便以後查閱。

使用



設備描述

1. 前刀片
2. 鉗口釋放桿
3. 後刀片
4. 刀片固定銷
5. 掛鉤
6. 把手
7. LED
8. 釋放扳機
9. 扳機
10. 側把手
11. 5mm內六角螺絲
12. 電池

設置工作區

在工作開始之前，電纜或電線必須斷電，並確保電纜在整個工作期間保持斷電。

如果無法確保電纜或絕緣線路已斷開連接，則不可進行任何工作。

務必遵守當地的安全規定和法例。

電纜及電線可能不可承受任何機械力，並且切割後，都必須從無法控制的移動中固定。

請勿將本產品暴露在雨中。切勿在潮濕的地方使用工具。

準備電纜剪和電池

每次使用前：

- 檢查電纜剪是否存在外部缺陷。

- 檢查刀具是否有裂紋和其他磨損痕跡。

只有完好無缺的情況下，才能夠使用產品。

切割過程開始前，必須檢查電池容量：最小33%（見圖示說明）。

工作開始前可能需要充電。

準備切割過程

支持並固定要切割的電纜，以儘量減少不受控制的移動風險。

特別是架空電纜可能會失控，導致造成人身傷害和/或損壞。

切割頭必須與電纜成90°的角度，以便電纜可以在沒有張力的情況下置於開放的切割鉗口中，並可以避免不正當的剪切力。

▲警告！為了減少爆炸、觸電及財產和設備損壞的風險，切勿切斷帶電的電線。

工具是不絕緣的。與通電的電路接觸可能導致嚴重的傷害或死亡。未使用工具時，先關上電源。

切勿切割氣體或水管線。保持雙手遠離所有切割邊緣和旋轉部件。割裂及截肢可能發生。

在更換或拆卸附件之前，請務必取出電池。只能使用該工具所建議的配件。其他配件可能會造成危險。

為了避免受傷的風險，佩戴護目鏡或具側面防護的眼鏡。

▲警告！為了減少傷害的風險，只能切割該刀片的建議物料。（參考「規格」）不要試圖切割其他物料。

切割

- 切割前，確保刀片已正確安裝。

1. 引導電纜與電纜剪切割成直角。切勿試圖進行角度切割，工作及刀片會因此造成損壞。
2. 握緊把手。操作時，拉動並按住扳機。拉動扳機時，LED將點亮。一旦切割完成，或者工具的電源關閉，讓釋放扳機啟動以啟動重設開關，使切割刀片打開。

注意：工件在切割過程中可能稍微移動。

發生故障時採取行動

- 電纜可能變形或變成帶電，務必通知安全人員。停止切割過程，並採取適當的保護措施。
- 在接近和觸摸設備之前，務必確保設備跟電源已經斷開連接，並且會保持這種狀況。
- 按住重置按鈕直到刀具完全打開。
- 檢查電池容量。
- 根據技術參數檢查材料和其厚度。
- 如果懷疑有帶電的電纜已經被切斷，電纜剪必須在授權的工作坊進行檢查。

卡住的刀片

污垢和碎屑可能會導致刀片在切割後擠在一起。

- 按住釋放扳機以確保工具已重置。
- 拆下電池。
- 按照圖片說明打開切割刀片。
- 在開始另一次切割之前，先清除刀片上的污垢和碎屑。

切割技巧

- 切勿試圖進行角度切割，工件及刀片會因此造成損壞。
- 切割乾淨的材料以延長刀片壽命。在開始切割之前，擦掉材料和刀片上的污垢和碎屑。

維護

在機器上做任何調整前，請先取出電池。

切勿打開電纜剪，可拆卸電池或充電器。

檢查電纜剪是否有任何影響工具的問題，例如噪音或移動部件的干擾。

檢查切割工具是否有裂縫及其他磨損跡象。

完成工作後，清潔並潤滑切削刀具。

檢查切割刃是否鋒利，並更換磨損的切割鉗口。

當刀片磨損或損壞時更換刀片。務必更換一組的刀片。只能使用MILWAUKEE的刀片。

檢查切割工具能否自由移動。

為避免受傷和損壞，切勿將工具、可拆卸電池或充電器浸入液體中或使液體滲透。

本產品的通風孔必須時刻保持暢通。

產品包含液壓油。液壓油對地下水構成危險。沒有控制排放或者不當處理會受到法律制裁。

根據使用情況，每六至十二個月應對設備進行維修。

只能於授權的專業工作坊進行維修。

只可使用MILWAUKEE的配件和零件。如果需要更換的組件在此沒有介紹，請與其中一個MILWAUKEE服務代理機構聯繫（參見我們的維修/服務地址列表）。

如果需要機器的分解圖，可以向您的顧客服務中心查詢。索件時，請您當地的向顧客服務中心提供以下資料：機器銘牌上的產品號碼及機型。

電池

超過50°C (122°F) 的高溫會降低電池的效能。避免暴露於高溫或陽光下（可能導致過熱）。

充電器和電池的接點處應保持清潔。

為確保最佳電池使用壽命，電池使用後，應再完全充電。

久未使用的電池必須重新充電後再使用。

為確保電池的最長壽命，充電完成後，勿將電池匣繼續留在充電器上。

電池存放超過30天：

- 將電池組存放於溫度低於27°C的環境，且避免受潮。

- 將電池組保持在充電量30%-50%的狀態。

存放中的電池組應每六個月照常充電一次。

勿將用過的電池組與家庭廢棄物混合或燃燒電池。MILWAUKEE經銷商提供舊電池回收，以保護我們的環境。

勿將電池組與其他金屬物品一起存放（可能引起短路）。

僅可使用M18系統充電器對M18系統電池進行充電。請勿使用其他系統的電池。

運輸鋰電池

鋰離子電池須受制於危險品法例的要求。

運送鋰電池必須在符合當地、國家及國際標準及法例的情況下進行。

- 使用者可於陸地上運送電池而毋須受限。
- 第三方負責的商業式鋰電池運送須受制於危險品法

例。運送的預備及過程必須由受嚴格訓練的人士進行，亦必須得到專家在場監管。

運送電池時：

- 請確保電池接觸終端受到嚴密保護及經過絕緣，防止短路。
 - 請確保電池組妥善包裝，防止碰撞磨刷。
 - 切勿運送有裂痕或洩漏中的電池。
- 與貨運公司緊密聯繫以獲得進一步資訊。

低功率電波輻射性電機管理辦法

經型式認證合格之低功率射頻電機，非經許可，公司、商號或使用者均不得擅自變更頻率、加大功率或變更原設計之特性及功能。

低功率射頻電機之使用不得影響飛航安全及干擾合法通信；經發現有干擾現象時，應立即停用，並改善至無干擾時方得繼續使用。

前項合法通信，指依電信法規定作業之無線電通信。

低功率射頻電機須忍受合法通信或工業、科學及醫療用電波輻射性電機設備之干擾。

符號



啟動機器前，請仔細閱讀本說明書。



警告！
彈出碎片的受傷危機



使用本產品時務必佩戴護目鏡。



觸電危險



注意！警告！危險！



在機器上做任何工作前，請先取出電池。



雙手須遠離切割工具和其他運動部件。手指可能被夾在切割部件，甚至截肢或受傷。



配件- 不在標配設備中，可作為配件供應。



不要將電動工具與家庭垃圾材料一起處置。當電動工具和電動設備達到使用壽命時，必須單獨收集，並送至環保回收機構。請與當地相關部門或經銷商聯繫，了解回收建議和收集地點。

电池电压	18 V
公称力	77.8 kN
切割范围（取决于电缆类型） 绝缘的铜/铝电缆，轻度加固	max. Ø 44 mm
重量符合EPTA—Procedure 01 / 2003（锂电池 2.0 Ah）	6.0 kg
噪音信息 本测量值符合 EN 62841 条文的规定。器械的标准A-值噪音级为：	
音压值（不确定性 K=3dB(A)）	76.9 dB (A)
音量值（不确定性 K=3dB(A)） 佩戴耳罩。	87.9 dB (A)
振荡信息 依欧盟EN 62841 标准确定的振荡总值（三方向矢量和）。	
振荡值 a_h	1.2 m/s ²
不确定性 K=	1.5 m/s ²

警告！

本规程列出的依欧盟EN62841标准测量方法测量的振荡级也可用于电动工具比较并适合于临时振荡负荷估计。该等级可用于来初步评估风险。

该振荡级代表电动工具的主要应用。电动工具的其他应用，不正确的工具附件或欠缺维护可造成振荡级偏差。此可明显提高工作期间的振荡程度。

正确地估计一定工作期间的振荡程度也要考虑到工具关闭或接通而不使用的期间。此可明确减少总工作期间的振荡程度。

为提高操作人员对振荡作用的保护得规定补充安全措施：电动工具及工具附件的维护、温手、工作过程组织等。

▲警告！ 阅读本设备随附的所有安全警告、说明、插图和规格。不遵照以下警告和说明会导致电击、着火和/或严重伤害。

保存所有警告和说明书以备查阅。

▲ 电缆剪操作安全警告

为了减少爆炸、触电及财产和设备损坏的风险，切勿切断带电的电线。工具是不绝缘的。

必须把两手及衣服松动部份远离刀具及运动部件。有严重伤害的危险，包括切断四肢。

建议穿戴防护装备，例如防尘罩、防护手套、结实的防滑鞋、安全帽和护耳器。

使用防护装备。使用电缆剪时，请务必佩戴安全护目镜。

防止意外启动电缆剪。在连接到可拆卸电池之前，请确保扳机通过开关锁固定。

不要以切割钳握住电缆剪。

使用前，务必检查切割钳口是否有裂纹和其他磨损迹象。

只有完美的技术条件下，才能够使用电缆剪、电池及充电器。

损坏的部份需要立刻交给正式授权的工场维修。

在机器上进行任何修护工作之前，先拿出电池。

电缆剪只能配合切割工具使用。

在切割之前，请移除任何设置上的工具和扳手。

为避免受伤和损坏，切勿将工具、可拆卸电池或充电器浸入液体中或使液体渗透。

以双手握住电缆剪。

切割过程中发生故障时，请立即释放扳机，并按下液压重置按钮。

阀将打开，使活塞返回到其初始位置。

附加电池安全警告

▲警告！ 为了减少因短路而导致火灾、人身伤害和产品损坏的风险，请勿将工具、电池组或充电器浸没在流体中或使流体流入其中。腐蚀性或导电性流体（如海水、某些工业化学品、以及漂白剂或含漂白剂的产品等）都会导致短路。

残留风险

在切割过程开始之前，必须按照当地法规进行密封。

只能切割没有接驳电源的电缆。

电缆和电线可能不可承受任何机械力。

未能遵守本说明书，可能导致触电、爆炸和/或电弧，并因此造成严重的人身伤害、死亡、火灾及其他财产损失。

佩戴护目镜。

特定使用条件

按照不同电缆的类型，本电缆剪适用于切割没有接驳电源且绝缘的铜和铝电缆，以及轻度强化的电缆（铝/钢电缆）及钢电缆。

只能由经过电气应用培训的人员按照当地法例，以电缆剪进行切割及分割电缆和电线的工作。

首次使用前及往后至少每年一次，此电缆剪的操作者必须接受关于使用本产品具体的危险性以及必要的安全措施的训练。

运营公司必须：

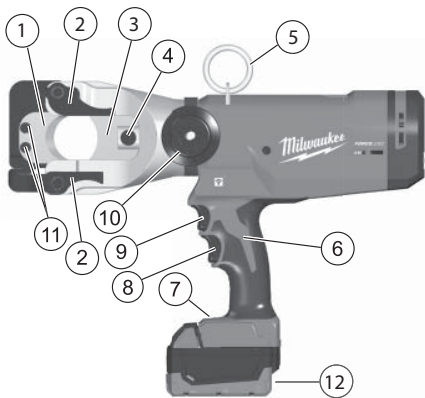
- 将操作手册提供给操作员和
- 确保操作员已阅读并理解。

▲警告！

阅读本设备随附的所有安全警告、说明、插图和规格。不遵照以下警告和说明会导致电击、着火和/或严重伤害。

保存所有警告和说明书以备查阅。

使用



设备描述

1. 前刀片
2. 钳口释放杆
3. 后刀片
4. 刀片固定销
5. 挂钩
6. 把手
7. LED
8. 释放扳机
9. 扳机
10. 侧把手
11. 5mm内六角螺丝
12. 电池

设置工作区

在工作开始之前，电缆或电线必须断电，并确保电缆在整个工作期间保持断电。

如果无法确保电缆或绝缘线路已断开连接，则不可进行任何工作。

务必遵守当地的安全规定和法例。

电缆及电线可能不可承受任何机械力，并且切割后，都必须从无法控制的动作中固定。

请勿将本产品暴露在雨中。切勿在潮湿的地方使用工具。

准备电缆剪和电池

每次使用前：

- 检查电缆剪是否存在外部缺陷。
- 检查刀具是否有裂纹和其他磨损痕迹。

只有在完好无缺情况下，才能够使用产品。

在切割过程开始之前，必须检查电池容量：最小33%（见图示说明）。

工作开始前可能需要充电。

准备切割过程

支持并固定要切割的电缆，以尽量减少不受控制移动的风险。

特别是架空电缆可能会失控，导致人身伤害及/或损坏。

切割头必须与电缆成90°的角度，以便电缆可以在没有张力的情况下置于开放的切割钳口中，并可以避免不正当的剪切力。

▲警告！为了减少爆炸、触电及财产和设备损坏的风险，切勿切断带电的电线。

工具是不绝缘的。与通电的电路接触可能导致严重的伤害或死亡。未使用工具时，先关上电源。

切勿切割气体或水管线。保持双手远离所有切割边缘和运转部件。割裂及截肢可能发生。

在更换或拆卸附件之前，请务必取出电池。只能使用该工具所建议的配件。其他附件可能造成危险。

为避免受伤危险，佩戴安全护目镜或具侧面防护的眼镜。

▲警告！为了减少伤害的风险，只能切割该刀片的建议物料。（参考「规格」）不要试图切割其他物料。

切割

- 切割前，确保刀片已正确安装。

1. 引导电缆与电缆剪切割成直角。切勿试图进行角度切割，工作及刀片会因此造成损坏。
2. 握紧把手，拉动并按住扳机。拉动扳机时，LED将点亮。一旦切割完成，或者工具的电源关闭，释放扳机启动以启动重置开关，使切割刀片打开。

注意：工件在切割过程中可能稍微移动。

发生故障时采取行动

- 电缆可能变形或变成带电，务必通知安全人员。停止切割过程，并采取适当的保护措施。
- 在接近和触摸设备之前，务必确保设备已经并将与电源断开连接。
- 按住重置按钮直到刀具完全打开。
- 检查电池容量。
- 根据技术参数检查材料和其厚度。
- 如果怀疑带电的电缆已被切断，电缆剪必须在授权服务中心进行检查。

卡住的刀片

污垢和碎屑可能会导致刀片在切割后挤在一起。

- 按住释放扳机键以确保工具已重置。
- 拆下电池。
- 按照图片说明打开切割刀片。
- 在开始另一次切割之前，先清除刀片上的污垢和碎屑。

切割技巧

- 切勿试图进行角度切割，工件及刀片会因此造成损坏。
- 切割干净的材料以延长刀片寿命。在开始切割之前，擦掉材料和刀片上的污垢和碎屑。

维护

在机器上进行任何修护工作之前，先拿出电池。
切勿打开电缆剪，可拆卸电池或充电器。
检查电缆剪是否有任何影响工具的问题，例如噪音或移动部件的干扰。
检查切割工具是否有裂缝和其他磨损迹象。
完成工作后，清洁并润滑切割刀具。
检查切割刀是否锋利，并更换磨损的切割钳口。
当刀片磨损或损坏时更换刀片。务必更换一组的刀片。只能使用美沃奇的刀片。
检查切割工具能否自由移动。
为避免受伤和损坏，切勿将工具、可拆卸电池或充电器浸入液体中或使液体渗透。
本产品的通风孔必须时刻保持畅通。
产品包含液压油。液压油对地下水构成危险。没有控制排放或者不当处理会受到法律制裁。
本产品应每六至十二个月进行维修，具体取决于使用情况。
只能于授权的专业工作坊进行维修。
只能使用美沃奇的附件和零件。如果需要更换的组件在此没有介绍，请与其中一个美沃奇服务代理机构联系（参见我们的保修/服务地址列表）。
如果需要机器的分解图，可以向您的顾客服务中心查询。案件时，必须向您的顾客服务中心提供以下资料：铭牌上机器的号码和机型。

电池

超过50°C (122°F) 的高温会降低电池组的效能。避免暴露于高温或阳光下(可能导致过热)。
充电器和电池组的接点处应保持清洁。
为获得最长寿命，使用后应把电池充满电。
长期储放的电池，必须先充电再使用。
为确保最长使用寿命，充电后应把电池从充电器取出。
电池储存时间长于30日：
■ 在环境温度27°C左右干燥处储存电池。
■ 在百分之30至50充电状态储存电池。
每6个月重新充电。
用过的电池组不可以丢入火中或一般的家庭垃圾中。美沃奇经销商提供旧电池回收，以保护我们的环境。
电池组不可以和金属物体存放在一起（可能产生短路）。
M18系列的电池组只能和M18系列的充电器配合使用。不可以使用其他系列的电池。

锂电池的运输

锂电池属于危险货品并受制于危险货品运输条例。
此电池的运输必须遵守地方、国家和国际法律规定。
■ 用户在公路上运输此电池组不必遵守特殊规定。
■ 锂电池的商业性运输受制于危险货品运输条例的规定。运输准备和运输必须由受过合适培训人员进行。全部过程必须由合格专业人员监督。

运输电池时必须注意到下列事项：

- 为避免短路，必须确保电池接点的防护和绝缘。
 - 确保包装中的电池包不会滑动。
 - 严禁运输损坏或泄漏电池。
- 进一步建议请联系运输商。

符号



启动机器前，请仔细阅读本说明书。



警告！
弹出碎片的受伤风险



使用本产品时必须佩戴护目镜。



电击危险



注意！警告！危险！



在机器上进行任何修护工作之前，先拿出电池。



必须把两手远离切割工具和其他运动部件。手指可能被夹于切割机制，甚至截肢或受伤。



附件-不包在标配设备中，可作为附件供应。



不要将电动工具与家庭垃圾材料一起处置。当电动工具和电动设备达到使用寿命时，必须单独收集，并送至环保回收机构。请与当地主管部门或经销商联系，了解回收建议和收集地点。

배터리 전압	18 V
공칭 출력	77.8 kN
케이블 형태에 따른 절단 범위	최대 직경: 44 mm
절연 구리/알루미늄 케이블, 경량 보강 처리	
EPTA 규정 01/2003에 따른 총량(리튬-이온 2.0 Ah)	6.0 kg
소음 정보	
EN 62841에 따라 판별한 측정 값. 일반적인 톨의 A-가중 소음 레벨:	
음압 레벨(불확정 K=3dB(A))	76.9 dB (A)
음향 파워 레벨(불확정 K=3dB(A))	87.9 dB (A)
귀마개를 착용하십시오!	
진동 정보	
EN 62841에 따라 판별한 총 진동 값(3축 백터 총합)	
진동 방출 값 ah	1.2 m/s ²
불확정성 K=	1.5 m/s ²

경고!

본 정보 시트에 제공되어 있는 진동 배출 레벨은 EN 62841에 제공된 표준 시험 절차에 따라 측정되었으며 이를 사용하여 제품을 서로 비교할 수 있습니다. 예비 노출 평가에 이를 사용할 수도 있습니다.

제시된 진동 배출 레벨은 제품에 가해진 주요 진동을 나타냅니다. 하지만 다른 부속품이 있거나 적절히 유지 관리되지 않은 다른 응용 기기에 제품을 사용할 경우, 진동 배출이 다를 수 있습니다. 이는 전체 작동 시간 동안 노출 레벨을 상당히 증가시킬 수 있습니다.

진동 노출 레벨을 예측할 때 톨 스위치를 차단하거나 구동 중이지만 실제 작업을 수행하지 않은 횟수도 고려해야 합니다. 이는 전체 작동 시간 동안 노출 레벨을 상당히 감소시킬 수 있습니다.

추가적인 안전 조치를 파악하여 제품 및 부속품을 유지 관리, 손을 따뜻하게 유지 및 작업 패턴 구성 등 진동 효과로부터 작업자를 보호하십시오.

▲ 경고! 제품과 함께 제공된 안전 경고 문구, 설명서, 도해 및 사양을 모두 읽으십시오. 경고 문구와 설명서를 준수하지 않으면 감전, 화재 및/또는 심각한 부상이 초래될 수 있습니다.

항후 참조할 수 있도록 경고 문구와 설명서를 잘 보관해 두십시오.

▲ 케이블 절단기 안전 경고

폭발, 전기 쇼크와 재산 및 장비 손상 위험을 줄이려면 전기가 흐르는 전선 케이블을 절단하지 마십시오. 이 공구는 절연되지 않습니다.

손과 옷의 느슨한 부위를 절단 중인 톨 및 기타 이동 부품과 멀리 두십시오. 팔, 다리 절단을 비롯한 심각한 부상의 위험이 있습니다.

분진 마스크, 보호용 장갑, 튼튼한 미끄러짐 방지 보호용 작업화, 안전모, 귀마개 같은 보호 장구를 착용하는 것이 권장됩니다.

보호 장구를 착용하십시오. 케이블 절단기를 사용하여 작업 수행 시 항상 보안경을 착용하십시오.

케이블 절단기가 우발적으로 시동되지 않도록 방지하십시오. 분리형 배터리를 연결하기 전에 트리거가 스위치 잠금 장치와 고정되어 있는지 확인하십시오.

절단 요를 통해 케이블 절단기를 잡지 마십시오.

사용하기 전에 절단 요에 균열이나 다른 마모 징후가 없는지 항상 점검하십시오.

기술적인 사용 조건이 충족된 경우에만 케이블 절단기, 분리형 배터리 및 충전기를 사용하십시오.

손상 부품은 인가된 정비소에서 즉시 수리하십시오.

기지에서 특정한 작업을 시작하기 전에 배터리 팩을 분리하십시오.

절단 공구를 삽입한 상태에서만 케이블 절단기를 사용할 수 있습니다.

절단 작업을 시작하기 전에 세팅 공구와 렌치를 모두 제거하십시오.

부상 및 손상을 방지하려면 공구, 분리형 배터리 또는 충전기를 액체에 침수시키거나 액체가 통과하지 않도록 해야 합니다.

양 손잡이를 사용하여 케이블 절단기를 잡으십시오.

절단 공정 동안 결함이 발생할 경우, 트리거를 즉시 빼내고 유압 재설정 버튼을 누르십시오.

벨브가 개방되고 피스톤이 초기 위치로 되돌아갑니다.

추가 배터리 안전 주의 사항

▲ 경고! 단락 회로로 인한 화재, 작업자 부상 및 제품 손상 위험을 줄이려면 톨, 배터리 팩 또는 충전기를 유체에 침수시키거나 유체가 내부로 흘러들어가지 않도록 해야 합니다. 해수, 특정한 산업용 화학 물질 및 표백제 또는 표백제 함유 제품 같은 부식성 또는 전도성 유체 등은 단락 회로를 야기할 수 있습니다.

전여 위험

절단 공정을 시작하기 전에 현지 규정에 따라 타인의 접근을 봉쇄해야 합니다.

전원 공급 장치에서 분리된 케이블만 절단하십시오. 케이블과 로프를 기계 응력에 노출시키지 않아야 합니다.

이러한 지침을 준수하지 않을 경우 전기 쇼크, 폭발 및/또는 전기 아크의 결과로 인한 심각한 부상, 사망, 화재 및 기타 재산 손해가 야기될 수 있습니다. 보안경을 착용하십시오.

지정된 사용 조건

케이블 유형에 따라 케이블 절단기는 전원 공급 장치에서 분리된 절연 구리 또는 알루미늄 케이블, ACSR 케이블(알루미늄/강철 케이블) 및 강철 케이블 절단에 적합해야 합니다.

전기 공학적 애플리케이션에 대한 교육을 이수한 작업자만 케이블 절단기를 사용하여 케이블 및 전선을 절단하고 분할할 수 있습니다.

케이블 절단기 작업자는 처음 작업하기 전에 그리고 그 이후 최소한 1년에 한 번 케이블 절단기 사용과 관련된 특정한 위험 요소와 필수 안전 조치에 대한 교육을 받아야 합니다.

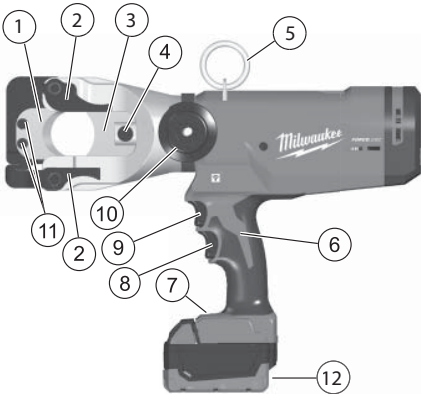
공구를 사용하는 회사의 준수 사항:

- 작업자에게 사용 설명서를 제공해야 함
- 작업자가 사용 설명서를 숙지하고 있는지 확인해야 함

▲ 경고! 제품과 함께 제공된 안전 경고 문구, 설명서, 도해 및 사양을 모두 읽으십시오. 경고 문구와 설명서를 준수하지 않으면 감전, 화재 및/또는 심각한 부상이 초래될 수 있습니다.

항후 참조할 수 있도록 경고 문구와 설명서를 잘 보관해 두십시오.

용도



장치 설명

1. 전면 블레이드
2. 요 릴리스 레버
3. 후면 블레이드
4. 블레이드 리테이닝 핀
5. 행거

6. 손잡이
7. LED
8. 릴리스 트리거
9. 트리거
10. 측면 손잡이
11. 5mm 육각 소켓 나사
12. 배터리

작업 구역 설정

작업을 개시하기 전 케이블 또는 전선을 분리하고 작업하는 동안 케이블이 전원 공급 장치에서 분리된 상태로 유지되는지 확인해야 합니다.

케이블 또는 절연 라인이 분리되었다고 확인할 수 없는 경우, 작업을 실시하지 않아야 합니다.

지역 안전 조항 및 규정을 준수하는 것이 중요합니다. 케이블 및 전선은 어떠한 기계적 힘에 노출되지 않아야 하며 절단 작업 후 통제되지 않은 모든 움직임으로부터 보호되어야 합니다.

공구를 빗물에 노출시키지 마십시오. 축축하거나 물기가 많은 장소에서 공구를 사용하지 마십시오.

케이블 절단기 및 배터리 준비

사용하기 전:

- 사용하기 전에 제품을 검사하십시오.
- 절단 공구에 균열이나 다른 마모 징후가 없는지 점검하십시오.

완벽한 조건에 있는 경우에만 사용.

절단 공정을 시작하기 전에 배터리 용량을 점검해야 합니다. 최소 33%(설명 참조).

작업을 개시하기 전에 충전이 필요할 수 있습니다.

절단 공정 준비

절단하려는 케이블 또는 로프를 지지 및 고정하여 통제되지 않은 상태로 움직일 수 있는 위험을 최소화하십시오.

특히 오버헤드 케이블 및 전선이 통제되지 않은 상태로 움직여 부상 및/또는 손해가 야기될 수 있습니다.

케이블이 장력 없이 개방된 절단 요와 나란히 놓이고 바람직하지 않은 전단력이 발생하지 않도록 절단 헤드가 케이블 또는 전선과 90°되는 지점에 위치해야 합니다.

▲ 경고! 폭발, 전기 쇼크와 재산 및 장비 손상 위험을 줄이려면 전기가 흐르는 전선 케이블을 절단하지 마십시오.

이 공구는 절연되지 않습니다. 전기가 흐르는 회로와 접촉할 경우 심각한 부상이나 사망이 초래될 수 있습니다. 절단 작업을 수행하기 전에 전원을 끄십시오.

가스나 용수 라인을 절단하지 마십시오. 모든 절단 가장자리 및 이동 부품으로부터 손을 멀리 유지하십시오. 열상과 절단이 발생할 수 있습니다.

액세서리를 교환하거나 제거하기 전에 항상 배터리 팩을 분리하십시오. 본 공구를 위해 특별히 권장된 액세서리만 사용하십시오. 다른 액세서리를 사용할 경우 위험할 수 있습니다.

부상의 위험을 줄이려면 측면 차폐 장치가 있는 보안 고글이나 보안경을 착용하십시오.

▲ 경고! 부상 위험을 줄이려면, 블레이드를 위해 권장된 재료만 절단해야 합니다. ("사양" 참조). 다른 재료를 절단하려고 시도하지 마십시오.

절단

- 절단하기 전에 블레이드가 적절히 설치되어 있는지 확인하십시오.
- 1. 케이블을 케이블 절단기의 절단면과 직각이 되도록 유도합니다. 가공물 및 블레이드를 손상시킬 수 있으므로 각형 절단 작업을 수행하려고 시도하지 마십시오.
- 2. 손잡이를 확실하게 잡으십시오. 작업하는 동안 트리거를 계속 당기십시오. 트리거를 당길 경우 LED가 점등됩니다. 절단 작업을 수행했거나 공구 스위치가 꺼진 경우, 해제 버튼을 다시 눌러 재설정 스위치를 활성화하면 절단 바가 열립니다.
참고: 절단 작업을 수행하는 동안 가공물이 약간 이동할 수 있습니다.

결함 발생 시 취해야 하는 조치

- 이 경우 케이블을 뽑을 수 있으며, 전원이 공급되었던 안전 담당자에게 항상 통보하고 절단 공정을 중단한 다음, 적합한 보호 조치를 개시합니다.
- 장치에 접근하고 장치를 만지기 전에 장치가 전원 공급 장치에서 분리 및 분리 상태를 유지하는지 항상 확인하십시오.
- 절단기가 완전히 개장될 때까지 재설정 버튼을 누르고 있으십시오.
- 배터리 용량을 점검하십시오.
- 기술 자료에 따라 재료 및 재료 두께를 점검하십시오.
- 전기가 흐르는 케이블을 절단한 것으로 의심되는 경우, 인가된 서비스 센터에서 케이블 절단기를 검사해야 합니다.

블레이드 걸림

절단 작업 이후에 먼지와 잔해물로 인해 블레이드가 걸릴 수 있습니다.

- 릴리스 트리거를 계속 눌러 공구를 재설정해야 합니다.
- 배터리 팩을 분리합니다.
- 그림 설명에 따라 절단 바를 엽니다.
- 또다른 절단 작업을 시작하기 전에 먼지와 잔해물을 모두 제거하십시오.

절단 작업 시 유용한 도움말

- 가공물 및 블레이드를 손상시킬 수 있으므로 각형 절단 작업을 수행하려고 시도하지 마십시오.
- 블레이드 수명이 오래 지속되도록 하려면 깨끗한 재료만 절단하십시오. 절단 작업을 시작하기 전에 재료와 블레이드에서 먼지와 잔해물을 닦아내십시오.

유지 관리

기기에서 특정한 작업을 시작하기 전에 배터리 팩을 분리하십시오.
케이블 절단기, 분리형 배터리 또는 충전기를 절단 열지 마십시오.
공구에 영향을 미칠 수 있는 잡음 또는 이동 부품의 걸림 등 문제가 없는지 케이블 절단기를 점검하십시오. 절단 공구에 균열이나 다른 마모 징후가 없는지 점검하십시오.
작업 완료 시, 절단 공구를 청소하고 그리스를 바르십시오.

절단 가장자리가 날카로운지 점검하고 마모된 절단 요는 교체하십시오.

찍히거나 손상된 경우 해당 블레이드를 교체하십시오. 블레이드를 항상 하나의 세트로 교체하십시오. MILWAUKEE 블레이드만 사용하십시오.

절단 공구가 자유롭게 이동하는지 점검하십시오.

부상 및 손상을 방지하려면 공구, 분리형 배터리 또는 충전기를 액체에 침수시키거나 액체가 통과하지 않도록 해야 합니다.

장비의 환기구는 항상 청결히 유지해야 합니다.

장치는 유체가 포함되어 있습니다. 유체는 지하수를 오염시킬 수 있습니다. 배수를 통제하지 않거나 부적절하게 처리할 경우 법률에 따라 처벌될 수 있습니다.

이 장치는 사용량에 따라 6개월~12개월 주기로 경정비해야 합니다.

경정비 및 수리 작업은 인가된 전문 정비소에서만 수행해야 합니다.

만드시 MILWAUKEE 부속품과 MILWAUKEE 예비품을 사용하십시오. 설명서에 제공되어 있지 않은 구성품을 교체할 필요가 경우 MILWAUKEE 서비스 센터 중 한 곳에 연락하십시오(보증/서비스 센터 주소 목록을 참조).

필요 시, 제품의 분해 조립도를 주문할 수 있습니다. 현지 서비스 센터에 라벨에 표기된 제품 번호와 장비 유형을 알려주면 도면을 주문할 수 있습니다.

배터리

50°C(122°F)를 초과하는 온도는 배터리 팩의 성능을 저하시킵니다. 열이나 햇빛에 오래 노출시키지 마십시오(과열 위험).

충전기 접점 및 배터리 팩을 청결한 상태로 유지해야 합니다.

최적의 수명을 보장하려면 사용한 후에 배터리 팩을 완전히 충전해야 합니다.

장시간 사용하지 않은 배터리 팩은 사용하기 전에 충전해야 합니다.

배터리 수명을 최대한 연장하려면 완전히 충전된 경우 충전기에서 배터리 팩을 제거하십시오.

30일 이상 배터리 팩을 보관하는 경우:

- 온도가 27°C 미만이며 습기가 없는 장소에 배터리 팩을 보관하십시오.
- 배터리 팩을 30% - 50% 충전된 조건으로 보관하십시오.

보관한지 6개월이 경과할 때마다 팩을 정상적으로 충전하십시오.

가정 폐기물에 있는 사용된 배터리 팩은 폐기하지도 말고, 태워서 처리하지도 마십시오. 밀워키 유통회사들이 환경 보호를 위해 다 쓴 배터리를 회수해 주시기를 제안함.

배터리 팩을 금속 물체와 함께 보관하지 마십시오(단락 회로 위험).

System M18 배터리 팩을 충전하려면 System M18 충전기만 사용하십시오. 다른 시스템의 배터리 팩을 사용하지 마십시오.

리튬 배터리의 운송

리튬 이온 배터리는 위험물 법률 요건의 적용을 받습니다.

이 배터리는 현지, 국내 및 국제 규정과 법규에 따라 운송해야 합니다.

- 사용자는 추가 요건 없이 배터리를 도로를 통해 운반할 수 있습니다.
- 제3자가 리튬 이온 배터리를 상용으로 운송할 때에는 위험물 규정의 적용을 받습니다. 운송 준비 및 운송 작업은 적절히 교육을 이수한 개인만 수행해야 하고 그 과정에 해당 전문가가 동행해야 합니다.

배터리 운송 시 :

- 배터리 접촉면을 보호 및 차단하여 합선 위험을 방지하십시오.
- 배터리 팩이 포장 내에서 움직이지 않도록 고정하십시오.
- 균열 또는 누출이 있는 배터리는 운송하지 마십시오.

추가 지침은 운송 회사에 확인하십시오.

기호



제품을 시동하기 전에 주의하여 설명서를 읽으십시오.



경고!
튀어오르는 파편으로 인한 부상 위험



제품을 사용할 때 항상 보안경을 착용하십시오.



감전 위험.



주의! 경고! 위험!



기기에서 특정한 작업을 시작하기 전에 배터리 팩을 분리하십시오.



손을 절단 중인 톨 및 기타 이동 부품과 멀리 두십시오. 절단 매커니즘에 손가락이 끼어 손가락이 절단되거나 부상을 당할 수 있습니다.



부속품 - 기본 제품에는 포함되어 있지 않습니다. 부속품으로 별도 구입해야 합니다.



전기 제품과 부속품을 일반 가정용 쓰레기와 함께 버리지 마십시오. 수명이 다한 전기 제품과 전자 장비는 분리 수거하고 재활용 시설에서 처리해야 합니다. 재활용에 관한 조건과 수거 지침에 대해서는 지방 정부당국이나 소매업자에게 확인하십시오.

แรงดันไฟแบตเตอรี่	18 V
แรงที่กำหนด	77.8 kN
ระยะการตัด ขึ้นอยู่กับประเภทของสายเคเบิล สายเคเบิลทองแดง/อะลูมิเนียมหม่นฉนวน มีการเสริมอย่างเบา	Ø สูงสุด 44 มม.
น้ำหนักตามขั้นตอนของ EPTA 01/2003 (Li-Ion 2.0 Ah)	6.0 kg

ข้อมูลเกี่ยวกับเสียงรบกวน

ค่าที่วัดที่กำหนดตาม EN 62841 โดยทั่วไป ระดับเสียงรบกวน A ตามน้ำหนักของเครื่องมือค่าเท่ากับ:

ระดับความดันเสียง (ค่า K แปรผัน = 3dB(A))	76.9 dB (A)
ระดับกำลังเสียง (ค่า K แปรผัน = 3dB(A))	87.9 dB (A)

อย่าสัมผัสอุปกรณ์ป้องกันหู!

ข้อมูลเกี่ยวกับการสั่น

ค่าการสั่นโดยรวม (ค่าสรุปเวกเตอร์ 3 ทิศทาง) ที่กำหนดตาม EN 62841

ค่าการสั่นสะเทือน	1.2 m/s ²
ค่า K แปรผัน =	1.5 m/s ²

คำเตือน!

ระดับการสั่นสะเทือนที่ให้อ่านในเอกสารนี้ได้รับการวัดให้สอดคล้องกับการทดสอบมาตรฐานตาม EN 62841 และอาจใช้เปรียบเทียบผลิตภัณฑ์หนึ่งกับอีกผลิตภัณฑ์หนึ่ง ซึ่งอาจใช้ในการประเมินการสัมผัสสั่นสะเทือนเบื้องต้น

ระดับการสั่นสะเทือนที่แจ้งไว้คือระดับที่เกิดขึ้นจากการใช้งานหลัก อย่างไรก็ตาม หากใช้งานผลิตภัณฑ์ในลักษณะอื่น ด้วยอุปกรณ์เสริมที่แตกต่างกันที่แนะนำไว้ หรือขาดการบำรุงรักษาที่เหมาะสม แรงสั่นสะเทือนที่ส่งออกมาอาจมีการเปลี่ยนแปลงไป ซึ่งอาจเพิ่มระดับการสัมผัสสั่นสะเทือนขึ้นอย่างมากตลอดช่วงการทำงานทั้งหมด

การประมาณระดับการสัมผัสสั่นสะเทือนควรครอบคลุมถึงช่วงเวลาที่เปิดการใช้งานเครื่องมือหรือเครื่องมือยัดแน่นเครื่องแต่ไม่ได้ทำงานจริงด้วย ซึ่งอาจลดระดับการสัมผัสสั่นสะเทือนลงอย่างมากตลอดช่วงการทำงานทั้งหมด

อ่านมาตรการด้านความปลอดภัยเพิ่มเติมเพื่อปกป้องผู้ใช้จากผลของแรงสั่นสะเทือน เช่น การบำรุงรักษาผลิตภัณฑ์และอุปกรณ์เสริม การคอยดูแลให้มืออุ่น และการวางแผนรูปแบบการทำงานให้เป็นระเบียบ

⚠ คำเตือน! อ่านวิธีใช้ ภาพประกอบ ข้อมูลจำเพาะ และคำเตือนด้านความปลอดภัยทั้งหมดที่ให้อ่านกับผลิตภัณฑ์ การไม่ปฏิบัติตามคำเตือนและคำแนะนำอาจทำให้เกิดไฟไหม้ การช็อต หรือได้รับบาดเจ็บร้ายแรงได้

โปรดเก็บเอกสารคำเตือนและคำแนะนำทั้งหมดเพื่อใช้อ้างอิงในอนาคต

⚠ คำเตือนความปลอดภัยสำหรับเครื่องตัดสายเคเบิล

ห้ามตัดสายเคเบิลที่มีไฟฟ้าไหลผ่าน เพื่อลดความเสี่ยงของการระเบิด ไฟฟ้าช็อต และความเสี่ยงต่อทรัพย์สินและอุปกรณ์เครื่องมือไม่ได้หม่นฉนวน

ดูแลไม่ให้มือหรือเครื่องแต่งกายที่สวมอยู่ใกล้อุปกรณ์ตัดและส่วนที่เคลื่อนที่อื่น ๆ ของผลิตภัณฑ์ มีความเสี่ยงต่อการบาดเจ็บสาหัส รวมถึงสูญเสียแขนขา

โปรดสวมชุดป้องกันที่แนะนำไว้ใช้ เช่น หน้ากากกันฝุ่น ถุงมือป้องกัน รองเท้าที่แข็งแรงและกันสั่น หมวกนิรภัย และอุปกรณ์ปกป้องการได้ยิน

โปรดใช้อุปกรณ์ป้องกัน สวมแว่นป้องกันนัยน์ตาเมื่อทำงานกับเครื่องตัดสายไฟ

ป้องกันการสตาร์ทเครื่องตัดเคเบิลโดยไม่ได้ตั้งใจ ตรวจสอบให้แน่ใจว่ายึดไว้กับตัวล็อกสวิตช์ก่อนการเชื่อมต่อกับแบตเตอรี่ชนิดถอดได้

ห้ามจับเครื่องตัดสายเคเบิลที่ปากหนีบเครื่องตัด

ตรวจสอบปากหนีบของเครื่องตัดเพื่อหารอยแตกและร่องรอยการสึกหรออยู่เสมอก่อนการใช้งาน

ใช้เครื่องตัดสายเคเบิล แบตเตอรี่ชนิดถอดได้ และเครื่องชาร์จใน

สภาพที่สมบูรณ์เท่านั้น

หากพบชิ้นส่วนเสียหาย ให้ส่งซ่อมที่ศูนย์ที่ได้รับอนุญาตทันที

ถอดชุดแบตเตอรี่ออกก่อนเริ่มการทำงานใดๆ กับเครื่องใช้

เครื่องตัดสายเคเบิลสามารถใช้ได้กับเครื่องมือตัดที่ใส่เท่านั้น

นำเครื่องมือการตัดค่าและประแจทั้งหมดออกก่อนทำการตัด

ห้ามจับเครื่องมือ แบตเตอรี่ชนิดถอดได้ หรือที่ชาร์จลงในของเหลว

หรือปล่อยให้ของเหลวซึมผ่านเพื่อหลีกเลี่ยงการบาดเจ็บหรือความเสียหาย

จับเครื่องตัดสายเคเบิลด้วยมือทั้งสองข้าง

ในกรณีที่เกิดความผิดปกติระหว่างดำเนินการตัด ให้ปล่อยไกทันที และกดปุ่มรีเซ็ตไฮดรอลิก

วาล์วจะเปิด และลูกสูบจะกลับสู่ตำแหน่งเดิม

คำเตือนเพิ่มเติมเกี่ยวกับความปลอดภัยของแบตเตอรี่

⚠ คำเตือน! วิถีความเสี่ยงในการเกิดไฟไหม้ การบาดเจ็บส่วนบุคคล และความเสี่ยงต่อผลิตภัณฑ์ จากการลัดวงจร อย่างรุนแรงหรือ ชอร์ตวงจร หรือเครื่องชาร์จไฟลงในของเหลวหรือปล่อยให้ของเหลวซึมเข้าสู่ภายใน ของเหลวที่มีฤทธิ์กัดกร่อนหรือนำไฟฟ้าอาจก่อให้เกิดการลัดวงจรได้ เช่น น้ำทะเล สารเคมีทางอุตสาหกรรมบางชนิด และผลิตภัณฑ์ฟอสซิลหรือมีส่วนผสมการฟอสซิล เป็นต้น

ความเสี่ยงที่เหลือนอยู่

ก่อนเริ่มกระบวนการตัด ต้องห้ามการเข้าถึงตามข้อกำหนดห้องกันตัดเฉพาะสายเคเบิลที่ตัดการเชื่อมต่อจากแหล่งจ่ายไฟแล้วเท่านั้น สายเคเบิลและเชือกต้องไม่สัมผัสกับแรงเชิงกล

การไม่ปฏิบัติตามคำแนะนำนี้อาจนำไปสู่การบาดเจ็บสาหัส การเสียชีวิต ทัศนวิสัย และความเสียหายอื่นๆ กับทรัพย์สิน อันเป็นผลมาจากไฟฟ้าช็อต การระเบิดและ/หรืออาร์คไฟฟ้า
สวมใส่แว่นป้องกัน

สภาพการใช้งานที่กำหนด

เครื่องตัดสายเหมาะสำหรับการตัดสายเคเบิลทองแดงหรืออลูมิเนียมกันความร้อน สายเคเบิล ACSR (สายเคเบิลอลูมิเนียม/เหล็ก) และสายเคเบิลเหล็กที่ถูกถอดออกจากแหล่งจ่ายไฟ โดยขึ้นอยู่กับประเภทของสายเคเบิล

เฉพาะบุคลากรที่ผ่านการฝึกอบรมในการปฏิบัติงานกับไฟฟ้าเท่านั้นที่สามารถดำเนินการตัดหรือแยกสายเคเบิลหรือสายไฟด้วยเครื่องตัดสายเคเบิลนี้

ผู้ปฏิบัติงานกับเครื่องตัดสายเคเบิลนี้ต้องได้รับคำแนะนำถึงอันตรายเฉพาะที่เกี่ยวข้องกับการใช้งานเครื่องตัดสายเคเบิลนี้ และมาตรการความปลอดภัยที่สำคัญก่อนการทำงานกับเครื่องเป็นครั้งแรก และได้รับคำแนะนำอย่างน้อยปีละหนึ่งครั้งหลังจากนั้น

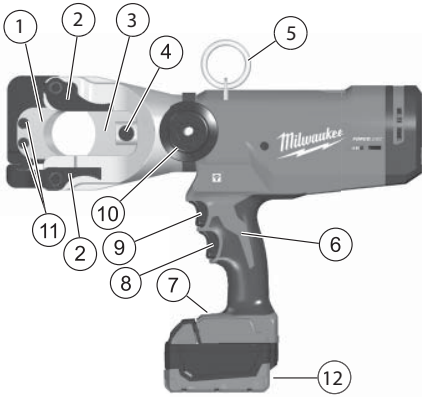
บริษัทที่ปฏิบัติงานต้อง:

- จัดเตรียมคู่มือปฏิบัติงานให้พร้อมสำหรับผู้ปฏิบัติงานและ
- รับรองว่าผู้ปฏิบัติงานได้อ่านและทำความเข้าใจ

คำเตือน! อ่านวิธีใช้ ภาพประกอบ ข้อมูลจำเพาะ และคำเตือนด้านความปลอดภัยทั้งหมดที่ให้มากับผลิตภัณฑ์ การไม่ปฏิบัติตามคำเตือนและคำแนะนำอาจทำให้เกิดไฟไหม้และ/หรือได้รับบาดเจ็บร้ายแรงได้

โปรดเก็บเอกสารคำเตือนและคำแนะนำทั้งหมดเพื่อใช้อ้างอิงในอนาคต

การใช้งาน



คำอธิบายอุปกรณ์

1. โคมืดหน้า
2. คันเคลายปากหนีบ
3. โคมืดหลัง
4. หมุดยึดโคมืด
5. ที่แขวน
6. ที่จับ
7. LED
8. โปกปล่อย
9. โก
10. ที่จับด้านข้าง
11. สกรูตัวหนอนหกเหลี่ยม 5 มม.
12. แบตเตอรี่

การเตรียมพื้นที่ทำงาน

ก่อนเริ่มปฏิบัติงาน ต้องถอดการเชื่อมต่อสายเคเบิลหรือสายไฟและต้องตรวจดูให้แน่ใจว่าสายต่างๆ แยกจากแหล่งจ่ายไฟระหว่างการปฏิบัติงาน

อย่าทำงานหากไม่สามารถรับรองให้แน่ใจได้ว่าตัดการเชื่อมต่อสายเคเบิลหรือสายที่มั่นคงแล้วหรือไม่

เป็นเรื่องสำคัญที่ต้องปฏิบัติตามระเบียบข้อบังคับและข้อกำหนดด้านความปลอดภัยในพื้นที่

สายเคเบิลและสายไฟต้องไม่ได้รับแรงเชิงกล ใดๆ และต้องปลอดภัยจากการเคลื่อนไหวที่ไม่สามารถควบคุมได้จากการตัดสายห้ามให้อุปกรณ์ถูกเหวี่ยง ห้ามใช้เครื่องมือในบริเวณที่ชื้นหรือเปียก

การเตรียมเครื่องตัดสายเคเบิลและแบตเตอรี่

ก่อนการใช้งานทุกครั้ง

- ตรวจสอบผลิตภัณฑ์ก่อนใช้งาน
- ตรวจสอบเครื่องมือสำหรับตัดเพื่อหารอยแตกและร่องรอยความสึกหรอ

ใช้งานในสภาพที่สมบูรณ์เท่านั้น

ก่อนที่จะเริ่มกระบวนการตัด ต้องตรวจสอบว่ามีระดับแบตเตอรี่อย่างน้อย 33% (ดูที่คำอธิบายพร้อมภาพประกอบ)

อาจจำเป็นต้องชาร์จก่อนที่จะเริ่มต้นทำงาน

การเตรียมการสำหรับกระบวนการตัด

รองรับและยึดสายเคเบิลหรือเชือกที่จะตัดเพื่อลดความเสี่ยงของการเคลื่อนไหวที่ไม่ได้ควบคุม

โดยเฉพาะอย่างยิ่ง สายเคเบิลและสายไฟเหนือศีรษะสามารถเคลื่อนไปมาโดยไม่อาจควบคุมได้ และทำให้เกิดการบาดเจ็บและ/หรือความเสียหายได้

ต้องวางตำแหน่งหัวตัดเป็นมุม 90° กับสายเคเบิลหรือสายไฟ เพื่อให้สายเคเบิลสามารถวางอยู่ในก้ามตัดที่เปิดอยู่โดยไม่มีแรงดึง และหลีกเลี่ยงแรงเฉือนที่ไม่ต้องการ

คำเตือน! ห้ามตัดสายเคเบิลที่มีไฟฟ้าไหลผ่าน เพื่อลดความเสี่ยงของการระเบิด ไฟฟ้าช็อต และความเสียหายต่อทรัพย์สินและอุปกรณ์

เครื่องมือไม่ได้หมุนวน การสัมผัสกับวงจรีไฟฟ้าที่ไม่ใช่ไฟฟ้าไหลผ่านอาจทำให้บาดเจ็บสาหัสหรือเสียชีวิตได้ ปิดเครื่องก่อนทำการตัด

ห้ามตัดท่อแก๊สหรือท่อน้ำ ระวังมือจากขอบที่ตัดหรือชิ้นส่วนที่เคลื่อนไหว เพราะอาจบาดเจ็บหรือตัดแขนขาได้

ถอดชุดแบตเตอรี่ออกก่อนการเปลี่ยนหรือถอดอุปกรณ์เสริม ใช้เฉพาะอุปกรณ์เสริมที่แนะนำเป็นพิเศษสำหรับเครื่องมือนี้ การใช้งานอุปกรณ์เสริมอื่นอาจเกิดอันตรายได้

เพื่อลดความเสี่ยงในการได้รับบาดเจ็บ ควรสวมที่ป้องกันดวงตาหรือแว่นกันภัยที่มีชิ้นส่วนป้องกันข้างด้าน

คำเตือน! ตัดเฉพาะวัสดุที่แนะนำสำหรับใบมีดเท่านั้นเพื่อลดความเสี่ยงของการบาดเจ็บ (ดู “ข้อมูลจำเพาะ”) อย่าพยายามตัดวัสดุอื่นๆ

การตัด

- ต้องแน่ใจว่าติดตั้งใบมีดอย่างถูกต้องก่อนการตัด

1. จัดสายเคเบิลให้ได้อุ่มที่เหมาะสมกับการตัดของเครื่องตัดสายเคเบิล อย่าพยายามทำการตัดในมุมลาดเอียง เนื่องจากอาจทำให้ชิ้นงานและใบมีดเสียหายได้

2. จับมือจับที่กระชับ ดึงก้านปลดการปฏิบัติงาน ไฟ LED จะสว่างขึ้นเมื่อมีดโก เมื่อดำเนินการตัดสายหรือปิดใช้งานเครื่อง ปิดเรียบร้อยแล้ว กดปุ่มปล่อยทุกครั้งและกดสวิตช์รีเซ็ต เพื่อให้แถบตัดเปิดออก
หมายเหตุ: ชิ้นงานอาจเคลื่อนที่เล็กน้อยระหว่างการตัด

การดำเนินการในกรณีที่เกิดความผิดปกติ

- สายเคเบิลอาจถูกเสียบและมิกระแสไฟฟ้าได้ ให้แจ้งเจ้าหน้าที่ดูแลรักษาความปลอดภัย หยุดกระบวนการการตัด และเริ่มดำเนินการมาตรการป้องกันที่เหมาะสมเสมอ
- ต้องแน่ใจว่าตัดการเชื่อมต่ออุปกรณ์กับแหล่งจ่ายพลังงานแล้ว และคงสภาพเช่นนี้ตลอดก่อนเข้าถึงและสัมผัสกับอุปกรณ์
- กดปุ่มรีเซ็ตค้างจนกว่าเครื่องตัดจะเปิดทั้งหมด
- ตรวจสอบความจุของแบตเตอรี่
- ตรวจสอบวัสดุและความหนาของวัสดุเทียบกับข้อมูลทางเทคนิค
- หากสงสัยว่าการตัดสายเคเบิลที่มีกระแสไฟฟ้า ต้องส่งเครื่องตัดสายเคเบิลให้ศูนย์บริการที่ได้รับอนุญาตตรวจสอบ

ใบมีดตัดชนิด

สิ่งสกปรกและเศษต่างๆ อาจทำให้ใบมีดตัดชนิดกันหลังจากการตัดได้

- กดโกปละลายค้างไว้เพื่อให้แน่ใจว่าเครื่องมือจะรีเซ็ต
- นำชุดแบตเตอรี่ออก
- ปฏิบัติตามคำอธิบายภาพเพื่อเปิดแถบตัด
- ล้างสิ่งสกปรกและเศษต่างๆ จากใบมีดก่อนเริ่มการตัดอีกครั้ง

เคล็ดลับการตัด

- อย่าพยายามทำการตัดในมุมลาดเอียง เนื่องจากอาจทำให้ชิ้นงานและใบมีดเสียหายได้
- ตัดวัสดุที่สะอาดเพื่อขยายอายุของใบมีด เช็ดสิ่งสกปรกและเศษต่างๆ จากวัสดุและใบมีดก่อนเริ่มการตัด

การบำรุงรักษา

ถอดชุดแบตเตอรี่ออกก่อนเริ่มการใดๆ กับเครื่องใช้ ห้ามเปิดเครื่องตัดใบมีด แบตเตอรี่ชนิดถอดได้ หรือที่ชาร์จ ตรวจสอบเครื่องตัดสายเคเบิลเพื่อดูว่ามีปัญหาใดๆ หรือไม่ เนื่องจากเสียงรบกวนหรือการตัดชนิดของชิ้นส่วนที่เคลื่อนไหวยอาจส่งผลกระทบต่อเครื่องมือได้

ตรวจสอบเครื่องมือสำหรับตัดเพื่อหารอยแตกและร่องรอยความสึกหรอ

เมื่อเสร็จสิ้นการทำงาน ให้ล้างและหาจากรับเครื่องมือตัด

ตรวจสอบว่าขอบการตัดมีความแหลมคม และเปลี่ยนปากหีบการตัดที่สึกหรอ

เปลี่ยนใบมีดเมื่อชำรุดหรือเสียหาย เปลี่ยนน้ำมันเป็นชุดเสมอ ใช้เฉพาะใบมีดของ MILWAUKEE

ตรวจสอบว่าเครื่องมือการตัดสามารถเคลื่อนไหวยังอิสระ

ห้ามจับเครื่องมือ แบตเตอรี่ชนิดถอดได้ หรือที่ชาร์จลงในของเหลว หรือปล่อยให้ของเหลวซึมผ่านเพื่อหลีกเลี่ยงการบาดเจ็บหรือความเสียหาย

ช่องระบายอากาศของเครื่องจะต้องสะอาดตลอดเวลา

อุปกรณ์มีน้ำยาไฮดรอลิก น้ำยาไฮดรอลิกเป็นอันตรายต่อน้ำใต้ดิน การระบายที่ไม่มีการควบคุมหรือการทิ้งที่ไม่เหมาะสมมีโทษตามกฎหมาย

อุปกรณ์ควรถูกได้รับการซ่อมบำรุงทุกเดือนถึงสิบสองเดือน ขึ้นอยู่กับการใช้งาน

การซ่อมบำรุงและการซ่อมแซมต้องดำเนินการโดยโรงซ่อมเฉพาะทางที่ได้รับอนุญาตเท่านั้น

ใช้อุปกรณ์เสริมและชิ้นส่วนสำรองของ MILWAUKEE เท่านั้น หากจำเป็นต้องเปลี่ยนชิ้นส่วนที่ไม่ได้ระบุไว้ข้างต้น โปรดติดต่อพนักงานบริการของ MILWAUKEE (โปรดดูรายชื่อร้านรับประกัน/บริการของเรา)

ถ้าต้องการ สามารถส่งภาพการระเบิดของเครื่องมือได้ โปรดระบุหมายเลขของสารและประเภทเครื่องจักรที่พิมพ์บนฉลาก และส่งภาพที่ตัวแทนบริการในพื้นที่ของท่าน

แบตเตอรี่

ประสิทธิภาพของชุดแบตเตอรี่จะลดลงหากอุณหภูมิสูงกว่า 50°C (122°F) หลีกเลี่ยงไม่ให้ถูกแดดหรือความร้อนเป็นเวลานาน (เสียงต่อความร้อนเกิน)

ต้องหมั่นดูแลความสะอาดหน้าสัมผัสตัวชาร์จกับชุดแบตเตอรี่ เพื่อยืดอายุการใช้งาน ควรชาร์จแบตเตอรี่ให้เต็มหลังการใช้งาน ชุดแบตเตอรี่ใหม่มีขีดความจุโหลดเต็มหลังจากการชาร์จและปล่อย 4-5 ครั้ง ควรชาร์จชุดแบตเตอรี่ที่ยังไม่ได้ถูกนำมาใช้ระยะหนึ่งก่อน การใช้งาน เพื่อรักษาอายุแบตเตอรี่ให้มากที่สุด ให้ถอดชุดแบตเตอรี่ออกจากตัวชาร์จเมื่อชาร์จไฟเต็ม

สำหรับชุดแบตเตอรี่ที่ต้องการเก็บไว้มากกว่า 30 วัน:

- เก็บชุดแบตเตอรี่ไว้ที่อุณหภูมิต่ำกว่า 27°C และหลีกเลี่ยงความชื้น

- เก็บชุดแบตเตอรี่ไว้ที่ประจุ 30% - 50%

ให้ชาร์จแบตเตอรี่ตามปกติทุกเดือนเพื่อเก็บ

ห้ามทิ้งแบตเตอรี่ที่ใช้แล้วกับขยะครัวเรือนหรือโดยการเผาทำลาย ผู้แทนจำหน่ายของ MILWAUKEE มีข้อเสนอในการกู้คืนแบตเตอรี่เก่าเพื่อปกป้องสิ่งแวดล้อมของเรา

ไม่เก็บชุดแบตเตอรี่ไว้รวมกับวัตถุอื่นที่เป็นโลหะ (เสียงต่อการสัควงจร)

ชาร์จชุดแบตเตอรี่ System M18 ด้วยตัวชาร์จสำหรับ System M18 เท่านั้น อย่าใช้แบตเตอรี่จากระบบอื่น ๆ

การขนส่งแบตเตอรี่ลิเทียม

แบตเตอรี่ลิเทียมมีไอออนอยู่ภายใต้ข้อกำหนดตามกฎหมายของสินค้าอันตราย

การขนส่งแบตเตอรี่เหล่านี้ต้องกระทำตามกฎหมายและข้อบังคับของท้องถิ่น ของประเทศ และระหว่างประเทศ

- ผู้ใช้สามารถขนส่งแบตเตอรี่ทางถนนได้โดยไม่มีข้อกำหนดใดๆ เพิ่มเติม

- การขนส่งแบตเตอรี่ลิเทียมไอออนเชิงพาณิชย์โดยนิติบุคคลอื่นต้องดำเนินการภายใต้กฎหมายว่าด้วยสินค้าที่มีอันตราย การเตรียมการขนส่งและการขนส่งต้องดำเนินการโดยบุคลากรที่ผ่านการฝึกอบรมมาแล้วเท่านั้น และในระหว่างดำเนินการต้องมีผู้เชี่ยวชาญที่เกี่ยวข้องคอยกำกับดูแล

เมื่อขนย้ายแบตเตอรี่:

- ตรวจสอบให้แน่ใจว่าตัวต่อแบตเตอรี่ได้รับการปกป้องและหุ้มฉนวนเพื่อป้องกันไฟฟ้าลัดวงจร

- โปรดตรวจสอบให้แน่ใจว่าแบตเตอรี่ได้รับการบรรจุหีบห่ออย่างมั่นคงเพื่อป้องกันการกระชกขยับเขยื้อน

- ห้ามเคลื่อนย้ายแบตเตอรี่ที่แตกหรือรั่ว

ตรวจสอบกับบริษัทจัดส่งเพื่อขอคำแนะนำเพิ่มเติม

เครื่องหมาย



โปรดอ่านคำแนะนำอย่างระมัดระวังก่อนเริ่มใช้เครื่องมือ



คำเตือน!
ความเสี่ยงต่อการบาดเจ็บจากเศษชิ้นส่วนที่ดีดออก



สวมแว่นตานิรภัยทุกครั้งที่ใช้ผลิตภัณฑ์นี้



อันตรายจากไฟฟ้าช็อต



ระวัง! คำเตือน! อันตราย!



ถอดชุดแบตเตอรี่ออกก่อนเริ่มทำการใดๆ กับเครื่องใช้



ระวังไม่ให้มืออยู่ใกล้เครื่องตัดและส่วนที่เคลื่อนไหวอื่นๆ นิ้วของท่านอาจติดในเครื่องตัด และได้รับบาดเจ็บหรือนิ้วขาดได้



อุปกรณ์เสริม - ไม่ได้ให้มากับชุดเครื่องมือมาตรฐาน แต่สามารถเลือกซื้อเป็นอุปกรณ์เสริมได้



อย่าทิ้งเครื่องมือไฟฟ้าร่วมกับขยะในครัวเรือน เครื่องมือไฟฟ้าและอุปกรณ์อิเล็กทรอนิกส์ทั้งหมดอายุใช้งานแล้วจะต้องเก็บแยกกันและส่งกลับไปยังสถานีรีไซเคิลเพื่อสิ่งแวดล้อม ตรวจสอบกับผู้จำหน่ายในท้องถิ่นของคุณหรือร้านค้าปลีกสำหรับคำแนะนำในการรีไซเคิลและจุดเก็บรวบรวม

Tegangan baterai	18 V
Gaya nominal	77,8 kN
Kisaran pemotongan, tergantung pada jenis kabel Kabel tembaga / aluminium berisolasi, bertulang ringan	maks. Ø 44 mm
Bobot sesuai dengan Prosedur EPTA 01/2003 (Li-ion 2,0 Ah)	6,0 kg

Informasi kebisingan

Nilai terukur yang ditentukan sesuai EN 62841. Biasanya, level kebisingan tertimbang A dari alat adalah:

Tingkat tekanan suara (K Ketidakpastian=3dB(A))	76,9 dB (A)
Tingkat daya suara (K Ketidakpastian=3dB(A))	87,9 dB (A)

Pakailah pelindung telinga!

Informasi vibrasi

Nilai total vibrasi (jumlah vektor triaksial) ditentukan sesuai dengan EN 62841

Nilai ah emisi getaran	1,2 m/s ²
K Ketidakpastian=	1,5 m/s ²

PERINGATAN!

Tingkat emisi getaran yang diberikan dalam lembar informasi ini telah diukur sesuai dengan uji terstandar yang diberikan dalam EN 62841 dan dapat digunakan untuk membandingkan satu produk dengan yang lainnya. Dapat digunakan untuk penilaian pendahuluan terhadap paparan.

Tingkat emisi getaran yang dinyatakan mewakili penggunaan utama produk ini. Namun, jika produk digunakan untuk penggunaan yang berbeda, dengan aksesoris yang berbeda, atau pemeliharaan yang kurang memadai, maka emisi getaran mungkin akan berbeda. Hal ini dapat meningkatkan tingkat paparan secara signifikan selama periode kerja total.

Estimasi tingkat paparan terhadap getaran juga harus diperhitungkan pada saat alat dimatikan atau ketika dijalankan tetapi tidak benar-benar bekerja. Hal ini dapat menurunkan tingkat paparan secara signifikan selama periode kerja total.

Tentukan langkah-langkah keselamatan tambahan untuk melindungi operator dari efek getaran seperti:

memelihara produk dan aksesoris, menjaga agar tangan tetap hangat, dan mengelola pola kerja.

⚠ PERINGATAN! Baca semua peringatan keselamatan, petunjuk, ilustrasi, dan spesifikasi yang disertakan bersama produk. Jika tidak mematuhi peringatan dan petunjuk, dapat berakibat sengatan listrik, kebakaran, dan/atau cedera parah.

Simpan semua peringatan dan petunjuk sebagai referensi sewaktu-waktu.

⚠ PERINGATAN KESELAMATAN PEMOTONG KABEL

Untuk menghindari risiko ledakan, tersengat listrik dan kerusakan pada bangunan dan peralatan, jangan memotong kabel beraliran listrik. Perkakas tidak berinsulasi.

Jauhkan tangan dan benda-benda longgar pada pakaian dari alat pemotongan dan komponen bergerak lainnya. Dapat menimbulkan risiko cedera serius, termasuk anggota tubuh terpotong.

Dianjurkan memakai pakaian pelindung, seperti masker debu, sarung tangan pelindung, sepatu alas karet yang kokoh, helm, dan pelindung telinga.

Gunakan peralatan pelindung. Selalu gunakan

kacamata pelindung keamanan saat bekerja dengan pemotong kabel.

Cegah terjadinya penyalakan awal pemotong kabel diluar kontrol. Sebelum menghubungkan baterai lepasan, pastikan pemicu telah diamankan dengan kunci sakelar.

Jangan memegang pemotong kabel pada rahang pemotong.

Sebelum digunakan, harus selalu periksa retakan atau tanda kerusakan lain pada rahang pemotong.

Gunakan pemotong kabel, baterai lepasan dan pengisi baterai hanya jika berada dalam kondisi teknis yang sempurna.

Suku cadang yang rusak harus segera diperbaiki di bengkel resmi.

Lepaskan paket baterai sebelum memulai pekerjaan apa pun pada alat.

Pemotong kabel hanya boleh digunakan jika perkakas pemotong sudah dimasukkan.

Lepaskan semua perkakas pengatur dan kunci pas sebelum melakukan pemotongan.

Untuk menghindari cedera dan kerusakan, jangan

merendam perkakas, baterai lepasan atau pengisi daya baterai ke cairan atau membiarkan cairan masuk ke dalamnya.

Pegang pemotong kabel pada kedua gagang.

Jika terjadi kesalahan saat melakukan proses pemotongan, segera lepaskan pemicu dan tekan tombol reset hidrolik.

Katup akan terbuka dan piston akan kembali ke posisi semula.

PERINGATAN KESELAMATAN BATERAI TAMBAHAN

⚠ PERINGATAN! Untuk mengurangi risiko kebakaran, cedera pribadi, dan kerusakan produk akibat hubungan arus pendek, jangan pernah merendam alat, baterai atau charger Anda dalam cairan atau membiarkan cairan mengalir di dalamnya. Cairan korosif atau konduktif, seperti air laut, bahan kimia industri tertentu, dan produk pemutih atau yang mengandung pemutih, dan sebagainya, dapat menyebabkan hubungan arus pendek.

RISIKO RESIDUAL

Sebelum proses pemotongan dimulai, akses masuk harus disekat sesuai dengan peraturan setempat.

Hanya diizinkan memotong kabel yang telah dilepaskan dari catu daya.

Kabel dan tali baja tidak boleh terpapar pada dorongan mekanis.

Kegagalan untuk mengikuti petunjuk ini dapat menyebabkan cedera serius, kematian, kebakaran dan kerusakan lain pada bangunan sebagai akibat kejutan listrik, ledakan dan/atau busur listrik.

Gunakan kaca mata pelindung.

KONDISI PENGGUNAAN KHUSUS

Tergantung jenis kabelnya, pemotong kabel ini sesuai untuk memotong kabel tembaga dan aluminium berinsulasi, kabel ASCR (kabel aluminium/baja) dan kabel baja yang telah dilepaskan dari catu dayanya.

Hanya personel yang terlatih dalam aplikasi elektroteknik yang dapat melakukan pemotongan dan pemisahan kabel dan kawat dengan bantuan pemotong kabel ini.

Operator pemotong kabel harus mendapatkan petunjuk tentang bahaya khusus yang berhubungan dengan penggunaan pemotong kabel dan pentingnya pemeriksaan keamanan sebelum bekerja dengan peralatan ini untuk pertama kalinya dan setidaknya setahun sesudahnya.

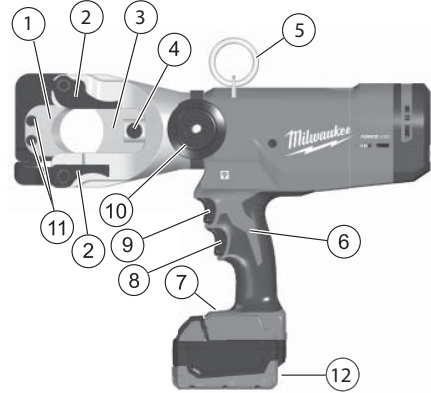
Perusahaan pengguna harus:

- menyediakan manual pengoperasian bagi operator dan
- memastikan bahwa operator telah membaca dan mengerti manual tersebut

⚠ PERINGATAN! Baca semua peringatan keselamatan, petunjuk, ilustrasi, dan spesifikasi yang disertakan bersama produk. Jika tidak mematuhi peringatan dan petunjuk, dapat berakibat sengatan listrik, kebakaran, dan/atau cedera parah.

Simpan semua peringatan dan petunjuk sebagai referensi sewaktu-waktu.

PENGGUNAAN



Deskripsi peranti

1. Mata pisau depan
2. Tuas pelepas rahang
3. Mata pisau belakang
4. Pin penahan mata pisau
5. Hanger
6. Gagang
7. LED
8. Pemicu pelepas
9. Pemicu
10. Gagang samping
11. Sekrup soket heksagonal 5 mm
12. Baterai

Mengatur keadaan area kerja

Sebelum pekerjaan dimulai, kabel atau kawat harus dilepaskan dan harus dipastikan kabel atau kawat ini tetap terisolasi dari catu daya selama pekerjaan berlangsung.

Jika tidak dapat dijamin bahwa kabel atau jalur insulasi telah dilepaskan dari catu daya, tidak boleh ada pekerjaan yang dilaksanakan.

Penting untuk selalu mematuhi ketentuan dan peraturan keselamatan setempat.

Kabel dan kawat mungkin tidak terkena gaya mekanis dan harus diamankan dari gerakan yang tidak terkendali yang terjadi setelah pemotongan.

Lindungi perkakas dari hujan. Jangan gunakan perkakas di lokasi yang lembap atau basah.

Persiapan pemotong kabel dan baterai

Sebelum setiap penggunaan:

- Periksa produk sebelum digunakan.
- Periksa retakan atau tanda kerusakan lain pada perkakas pemotong.

Gunakan hanya dalam kondisi sempurna.

Sebelum proses pemotongan dimulai, kapasitas baterai harus diperiksa: minimal 33% (lihat deskripsi gambar).

Mungkin diperlukan pengisian daya sebelum pekerjaan dimulai.

Persiapan untuk proses pemotongan

Sokong dan tahan kabel atau tali baja yang akan dipotong untuk meminimalkan risiko gerakan yang tidak terkontrol. Kabel dan kawat yang berada di atas kepala, khususnya, dapat bergerak di luar kendali dan menyebabkan cedera dan/atau kerusakan.

Kepala pemotong harus diposisikan pada sudut 90° terhadap kabel sehingga kabel atau kawat bisa berada di rahang pemotongan yang terbuka tanpa tekanan dan gaya geser yang tidak diinginkan dapat dihindari.

⚠ PERINGATAN! Untuk menghindari risiko ledakan, tersengat listrik dan kerusakan pada bangunan dan peralatan, jangan memotong kabel beraliran listrik.

Perkakas tidak berinsulasi. Sambungan dengan jaringan berlistrik dapat menyebabkan cedera serius atau kematian. Matikan daya sebelum melakukan pemotongan.

Jangan memotong saluran gas atau air. Jauhkan tangan dari semua tepi pemotong dan bagian yang bergerak. Dapat terjadi laserasi dan amputasi.

Selalu lepaskan paket baterai sebelum mengisi daya atau melepaskan aksesoris. Hanya gunakan aksesoris yang khusus direkomendasikan untuk perkakas ini. Aksesoris lain dapat membahayakan.

Untuk mengurangi risiko cedera, gunakanacamata keselamatan dengan pelindung samping.

⚠ PERINGATAN! Untuk menghindari risiko cedera, hanya potong material yang direkomendasikan untuk mata pisau. (lihat "Spesifikasi"). Jangan mencoba untuk memotong material lain.

Memotong

- Sebelum pemotongan, pastikan mata pisau sudah terpasang dengan benar.
- 1. Arahkan kabel pada sudut yang tepat ke bagian pemotongan pemotong kabel. Jangan mencoba pemotongan dengan menyudut karena dapat merusak bahan kerja dan mata pisau.
- 2. Pegang kedua gagang dengan kuat. Tarik dan tahan pemicu selama pengoperasian. Sebuah LED akan menyala saat pemicu ditarik. Setelah pemotongan dilakukan, atau alat dimatikan, biarkan tombol pelepas bebas lagi dan aktifkan sakelar reset, sehingga balok pemotong terbuka.

Catatan: Bahan kerja dapat bergeser sedikit selama pemotongan.

TINDAKAN SAAT TERJADI KESALAHAN

- Kabel dapat tersambung dan teraliri listrik, selalu informasikan kepada petugas keselamatan, hentikan proses pemotongan, dan lakukan tindakan perlindungan yang sesuai
- Selalu pastikan bahwa perangkat berada dan akan berada dalam kondisi terlepas dari catu daya sebelum mendekati dan memegang perangkat.
- Tekan dan tahan tombol reset sampai pemotong terbuka seluruhnya.
- Periksa kapasitas baterai.
- Periksa material dan ketebalan material terhadap data teknis.

- Jika diperkirakan terjadi pemotongan kabel beraliran listrik, pemotong kabel harus diperiksa oleh pusat perbaikan resmi.

Mata pisau macet

Debu dan kotoran dapat menyebabkan mata pisau macet bersamaan setelah pemotongan.

- Tekan dan tahan pemicu pelepas untuk memastikan perkakas telah direset.
- Lepaskan paket baterai.
- Ikuti uraian gambar untuk membuka balok pemotong.
- Bersihkan debu dan kotoran dari mata pisau sebelum memulai pemotongan berikutnya.

Kiat pemotongan

- Jangan mencoba pemotongan dengan menyudut karena dapat merusak bahan kerja dan mata pisau.
- Potong material yang bersih untuk memperpanjang waktu pemakaian mata pisau. Bersihkan debu dan kotoran dari material dan mata pisau sebelum memulai pemotongan.

PEMELIHARAAN

Lepaskan paket baterai sebelum memulai pekerjaan apa pun pada alat.

Jangan pernah membuka pemotong kabel, baterai lepasan atau pengisi daya baterai.

Periksa pemotong kabel jika ada suara atau bagian bergerak yang macet yang dapat memengaruhi perkakas.

Periksa retakan atau tanda kerusakan lain pada perkakas pemotong.

Saat pekerjaan sudah selesai, bersihkan dan beri pelumas pada perkakas pemotongan.

Periksa tepi pemotong agar tetap tajam dan ganti rahang pemotong yang sudah rusak.

Ganti mata pisau jika sudah retak atau rusak. Selalu ganti satu set mata pisau. Hanya gunakan mata pisau MILWAUKEE.

Pastikan perkakas pemotongan dapat bergerak dengan bebas.

Untuk menghindari cedera dan kerusakan, jangan merendam perkakas, baterai lepasan atau pengisi daya baterai ke cairan atau membiarkan cairan masuk ke dalamnya.

Slot ventilasi mesin harus selalu terbebas dari halangan. Alat berisi cairan hidrolik. Cairan hidrolik dapat membahayakan air tanah. Pengurusan yang tidak terkendali atau pembuangan yang tidak tepat dapat dihukum menurut undang-undang.

Perangkat harus diservis setiap enam bulan hingga dua belas bulan, tergantung pemakaian.

Layanan dan perbaikan hanya dapat dilakukan oleh bengkel khusus yang berwenang.

Gunakan hanya aksesoris MILWAUKEE dan suku cadang MILWAUKEE. Jika komponen harus diganti, namun belum ada penjelasannya, hubungi salah satu agen servis MILWAUKEE kami (lihat daftar alamat penggaransi/servis).

Jika diperlukan, gambar pecahan komponen dapat

dipesan. Sebutkan no. artikel serta tipe mesin yang dicetak pada label dan pesan gambarnya di agen servis terdekat Anda.

BATERAI

Suhu yang melebihi 50°C (122°F) akan mengurangi kinerja paket baterai. Hindari paparan berkepanjangan terhadap panas atau sinar matahari (risiko panas berlebihan).

Kontak pada pengisi daya dan paket baterai harus dijaga kebersihannya.

Untuk masa pemakaian optimal, paket baterai harus diisi dayanya hingga penuh setelah digunakan.

Pek baterai yang belum digunakan dalam satu jangka masa perlu dicas semula sebelum digunakan.

Untuk memaksimalkan masa pemakaian baterai, lepaskan paket baterai dari pengisi daya setelah terisi sepenuhnya.

Untuk penyimpanan paket baterai lebih dari 30 hari:

- Simpan paket baterai jika suhu berada di bawah 27°C dan jauhkan dari kelembapan.
- Simpan paket baterai dalam kondisi terisi dayanya 30% - 50%.

Jika penyimpanan paket baterai mencapai enam bulan, isi daya baterai seperti biasa.

Jangan membuang unit baterai bekas dalam sampah rumah tangga atau membakarnya. Distributor MILWAUKEE menawarkan untuk mengambil baterai lama guna melindungi lingkungan kita.

Jangan menyimpan paket baterai bersama benda logam (risiko arus pendek).

Hanya gunakan pengisi daya System M18 untuk mengisi daya paket baterai System M18. Jangan menggunakan unit baterai dari sistem lain.

PENGANGKUTAN BATERAI LITUM

Baterai litium-ion tunduk pada persyaratan Legisiasi Barang Berbahaya

Pengangkutan baterai ini harus dilakukan sesuai regulasi dan peraturan daerah, nasional, dan internasional.

- Pengguna dapat membawa baterai di jalan tanpa peraturan lebih lanjut.
- Pengangkutan komersial baterai litium-ion oleh pihak ketiga tunduk pada peraturan Barang Berbahaya. Persiapan pengangkutan dan pengangkutan harus dilakukan oleh orang yang terlatih dan prosesnya harus didampingi oleh pakar yang terkait.

Ketika mengangkut baterai:

- Pastikan bahwa terminal kontak baterai terlindungi dan terisolasi untuk mencegah korsleting.
- Pastikan wadah baterai sudah dikencangkan agar tidak terpengaruh oleh pergerakan di dalam pengemasannya.
- Jangan mengangkut baterai yang retak atau bocor. Tanyakan kepada perusahaan pengiriman untuk memperoleh pemberitahuan lebih lanjut.

SIMBOL



Baca petunjuk dengan cermat sebelum memulai menggunakan mesin.



PERINGATAN!

Terdapat risiko cedera dari fragmen yang terlonjar.



Selalu pakai kacamata goggle saat menggunakan produk ini.



Bahaya sengatan listrik



PERHATIAN! PERINGATAN! BAHAYA!



Lepaskan paket baterai sebelum memulai pekerjaan apa pun pada alat.



Jauhkan tangan dari alat pemotongan dan komponen bergerak lainnya. Jari-jari dapat terjebak dalam mekanisme pemotongan dan dapat diamputasi atau cedera.



Aksesori - Tidak disertakan dalam perlengkapan standar, tersedia sebagai aksesori.



Jangan membuang perkakas listrik bersama dengan material limbah rumah tangga. Perkakas listrik dan peralatan elektronik yang telah mencapai akhir masa pakainya harus dikumpulkan secara terpisah dan dikembalikan ke fasilitas daur ulang yang selaras dengan lingkungan. Tanyakan kepada pihak berwenang atau peritel setempat mengenai daur ulang dan titik pengumpulan.

